



VAHLE

Spring Operated Cable Reels

SYSTEMS IN MOTION



Spring Operated Cable Reels

| Content | Page |
|-----------------------------------|------|
| Spring operated cable reels | 3 |
| Reel selection charts | 5 |
| Typical applications | 6 |
| Model explanation | 7 |
| Reel selection charts | 8 |

Application

Our spring operated cable reels serve the industry for reliable electrification of equipment in motion; for automatic winding of flexible power- and control-cables.

Application areas

Portal- and Gantry Cranes, Dockside-, Ship- and Construction Cranes, Grabs and Magnets, Electric Hoists and other material handling -lifting -stacking and -storing equipment. They fully meet VDE and UVV safety requirements.

Special applications

- VAHLE Reels on board ships or in the tropics.
- VAHLE Reels in aggressive environments (galvanizing plants, pickling lines, sewage treatment systems).
- VAHLE Reels in explosionproof versions (slipringless).
- VAHLE Reels for Control-, Signal- and Highfrequency-Transmission.
- VAHLE Reels for Air, Liquids and Gases (Hose Reels).
- VAHLE Reels for handling steel ropes in travel distance-tracking systems and for grab stability on heavy cranes (Tag Line Reels).
- VAHLE Reels for Curves and for Endless Monorails with special swivel base.
- VAHLE Reels of the Ratchet Type with a lock mechanism for multi level machine tools and for push-button pendants.
- VAHLE Reels for Flatform Cable (especially in the palette stacking and machine tool industry).
- VAHLE Reels in Monospiral Version.

Vahle welcomes your inquiry on your particular application.

Electrical Properties of Sliprings

Standard sliprings are rated for 500 Volt AC and 600 Volt DC, Control Rings in block system for 230 Volts. Collector Ring Ampere capacities are for 100% nominal rating.

| Content | Page |
|--|------|
| Cable reels (with fixing flange) | 25 |
| Cable reels (with console) | 27 |
| Accessories | 28 |
| Spare parts..... | 34 |
| Questionnaire..... | 36 |
| Notes..... | 38 |

Protection Code

Slipring enclosures are designed to IP 55. Higher grade protection – available upon request.

Drive System

The Reel Drive is achieved via helical springs of high quality spring steel. Depending on the duty and type of service they will last about 120.000 working cycles.

Cable Payout

is normally following the technical information on pages 25 and 27 of this catalog.

Other requirements can be fulfilled; add suffix A in the type designation for opposite hand rotation. (See model code on page 7).

Limit Switch Assemblies

for switching off travel and hoist motors with one or two safety windings on the reel are optional.

Accident Prevention

All moveable parts of the drive system, e.g. chaindrive are covered in accordance with the Accident Prevention Code. Therefore, the cable reels can be installed in work areas as well as traffic areas. Additional protective devices, such as a cover for the revolving reel body itself, are to be furnished and fitted at site.

Corrosion Protection

The all-steel construction of the VLF 155 to VLF 530 reel series is galvanized. All other reels come with one primer coat and one finishing paint of epoxy-resin RAL 7031 blue-grey varnish.

Installation Information

Installation instructions and operation manuals for commissioning advice and assistance are attached to each reel shipment.

Reel Capability

max. speed of travel or lift application: $v = 60$ m/min.
max. travel acceleration: $a = 0,2$ m/sec²
max. lift acceleration: $a = 0,2$ m/sec²

Cable length

Reels are designed to handle a certain type and length of cable in a specific manner. Never use reels for more cable than outlined in the selection charts. Two safety windings are included on the reeling body.

Total cable length

The total cable length required results from maximum payout length plus reel installation height plus two safety windings plus free end length for connection.

Safety Advice

According to EEC-regulation 89/392/EWG rotating parts such as reel compartments must be protected against accidents.

Guarantee

We provide guarantee according to the general conditions of delivery for products and services of the electrical industry. The reel springs are as a wear part excluded from this guarantee.

Reeling cables

Reeling cables which correspond to the mechanical requirements should be used.

Factors in selecting cable for reel use, considering motor currents, required wire sizes and allowable voltage drop.

$$A = \frac{1,73 \cdot L \cdot IG \cdot \cos\varphi}{\Delta U \cdot x} \text{ (mm}^2\text{)}$$

Legend to Formula:

A = Required Wire Size
(Conductor Cross Section in sq. mm)
L = Total Cable Length (m)
IG = Total Ampere Load (Amps)
 $\cos \varphi$ = Power Factor = approx. 0,8
x = Conductor Conductivity (Copper = 56)
 ΔU = Allowable Voltage Drop (Volts)

Cable selection and determining wire size ampacity, considering permissible temperature rise

The reel selection charts are based on the cable data as per table No. 1, indicating continuous ampacity for 3-conductor open air installation with an ambient temperature of 30 °C. Use derating table No. 3 for other ambient temperature.

The continuous ampacities as per table No. 1 are only applicable to a limited extend for cables under reeling operation. The derating factors for multilayer service are shown in table No. 4. They are valid for permanently and fully spooled cables.

However, as many applications in practice do not have the cable fully spooled all the time, it is recommended to use an intermediate factor only. For monospiral winding refer to the same continuous ampacities than for one-layer operation. The continuous ampacities as per table 1 are suitable also for 4-core cables. Also 5-core arrangements are permissible, if one core is used as ground. If necessary consider the cable accumulation for dimensioning of the cables according to VDE 0100 §41 regulation.

The following derating factors (table No. 5) are nearly suitable for multi-core cables, depending on the quantity of cores.

The following derating factors (table No. 2) are valid for intermitent service in relation to the continuous ampacities for permanent load as per table No. 1.

Reel selection tables

for arrangement samples - random wrap, horizontal or vertical cable payout or steeply rising -

Table 1: Continuous cable ampacity (100% CD) for open air installation

| Wire size (mm ²) | Ampere Capacity (A) | |
|------------------------------|--|--|
| | 60°C max. permissible temp. at conductors | 80°C max. permissible temp. at conductors |
| 1,5 | 18 | 24 |
| 2,5 | 25 | 32 |
| 4 | 34 | 43 |
| 6 | 44 | 56 |
| 10 | 60 | 78 |
| 16 | 80 | 104 |
| 25 | 107 | 138 |
| 35 | 133 | 171 |
| 50 | 165 | 213 |

Table 2: Multiplier for intermittent service (according to manufacturers' instructions)

| Wire size (mm ²) | at intermittent duty cycle of (according to manufacturers' instructions) | | | |
|------------------------------|--|------|------|------|
| | 60% | 40% | 25% | 15% |
| 1,5 | 1,00 | 1,00 | 1,00 | 1,00 |
| 2,5 | 1,00 | 1,00 | 1,04 | 1,07 |
| 4 | 1,00 | 1,03 | 1,05 | 1,19 |
| 6 | 1,00 | 1,04 | 1,13 | 1,27 |
| 10 | 1,03 | 1,09 | 1,21 | 1,44 |
| 16 | 1,07 | 1,16 | 1,34 | 1,62 |
| 25 | 1,10 | 1,23 | 1,46 | 1,79 |
| 35 | 1,13 | 1,28 | 1,53 | 1,90 |
| 50 | 1,16 | 1,34 | 1,62 | 2,03 |

Table 3: Derating for other ambient temperature for open air installation

| Ambient temp. °C | Correction factors | | | | | | | | | | | |
|---------------------|--------------------|------|------|------|------|------|------|------|------|------|------|--|
| | 25 | 30 | 35 | 40 | 45 | 50 | 55 | 60 | 65 | 70 | 75 | |
| Cable for max. 60°C | 1,08 | 1,00 | 0,91 | 0,82 | 0,71 | 0,58 | 0,41 | - | - | - | - | |
| Cable for max. 80°C | 1,05 | 1,00 | 0,95 | 0,89 | 0,84 | 0,77 | 0,71 | 0,63 | 0,55 | 0,45 | 0,32 | |

Table 4: Derating for multilayer service

| No. of Cond. in service | 1 | 2 | 3 | 4 |
|-------------------------|------|------|------|------|
| Multiplier | 0,76 | 0,58 | 0,47 | 0,40 |

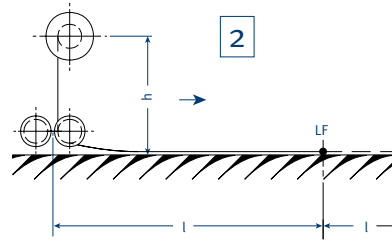
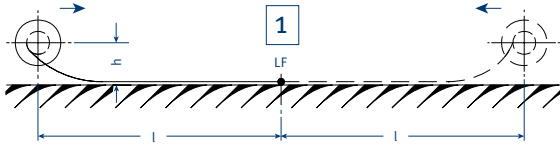
Table 5: Derating for multiconductor service

| No. of Cond. in service | 5 | 7 | 10 | 14 | 19 | 24 | 40 |
|-------------------------|------|------|------|------|------|------|------|
| Multiplier | 0,75 | 0,65 | 0,55 | 0,50 | 0,45 | 0,40 | 0,35 |

Typical Applications

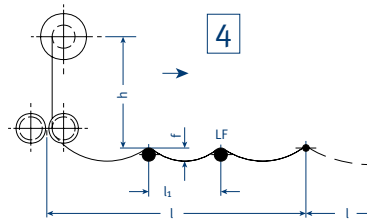
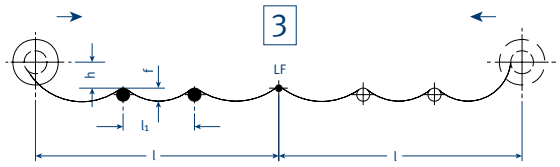
Reel on moving equipment

Cable on the ground or in a continuous tray
Horizontal Cable payout in one or two directions



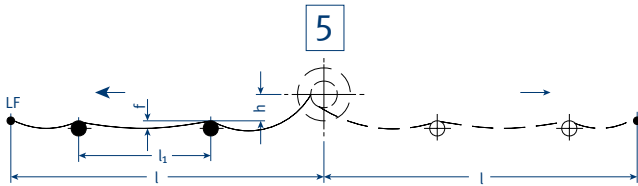
Reel on moving equipment

Cable on supports ($l_1 = 1\text{m}$), or rather rolls or rounded smooth supports ($l_1 = 1$ to 3m)
Horizontal Cable payout in one or two directions



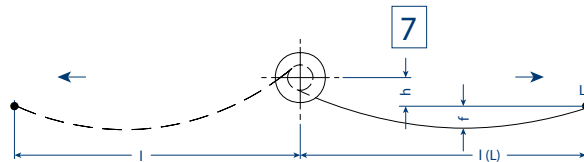
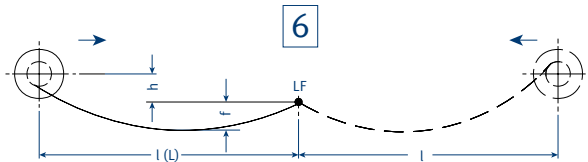
Reel stationary

(Cable fixpoint at moving equipment), horizontal cable payout in one or two directions on rolls or smooth supports ($l_1 = 3\text{m}$)



Reel on moving equipment (6) or Reel stationary (7) - (Cable fixpoint at moving equipment)

Free horizontal cable payout in one or two directions. For payout in one travel direction: „f“ is determining the loop depth if the suspended cable length „L“ is larger than „l“.



Legend to Drawings: (Examples 1-7)

l = max. operational length of cable (m)
(with cable payout in two travel directions = half travel length)

L = max. operational length [m] between reel and cable fixpoint

h = Installation height = distance from cable tray or cable fixpoint to reel center [m]

LF = Cable fixpoint

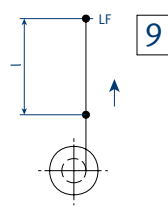
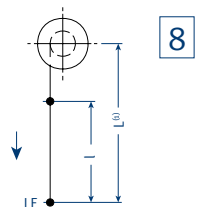
f = max. cable loop depth [m], relating to cable fixpoint "LF"

l_1 = Rolls or support distance [m]

Lifting operation

Cable payout vertical or steeply sloping (8)

Cable payout vertical or steeply rising (9)



Legend to Drawings (Examples 8 and 9)

l = operational length of cable

L = max. sloping cable length (m). Also consider additional weight (e.g. control switch)

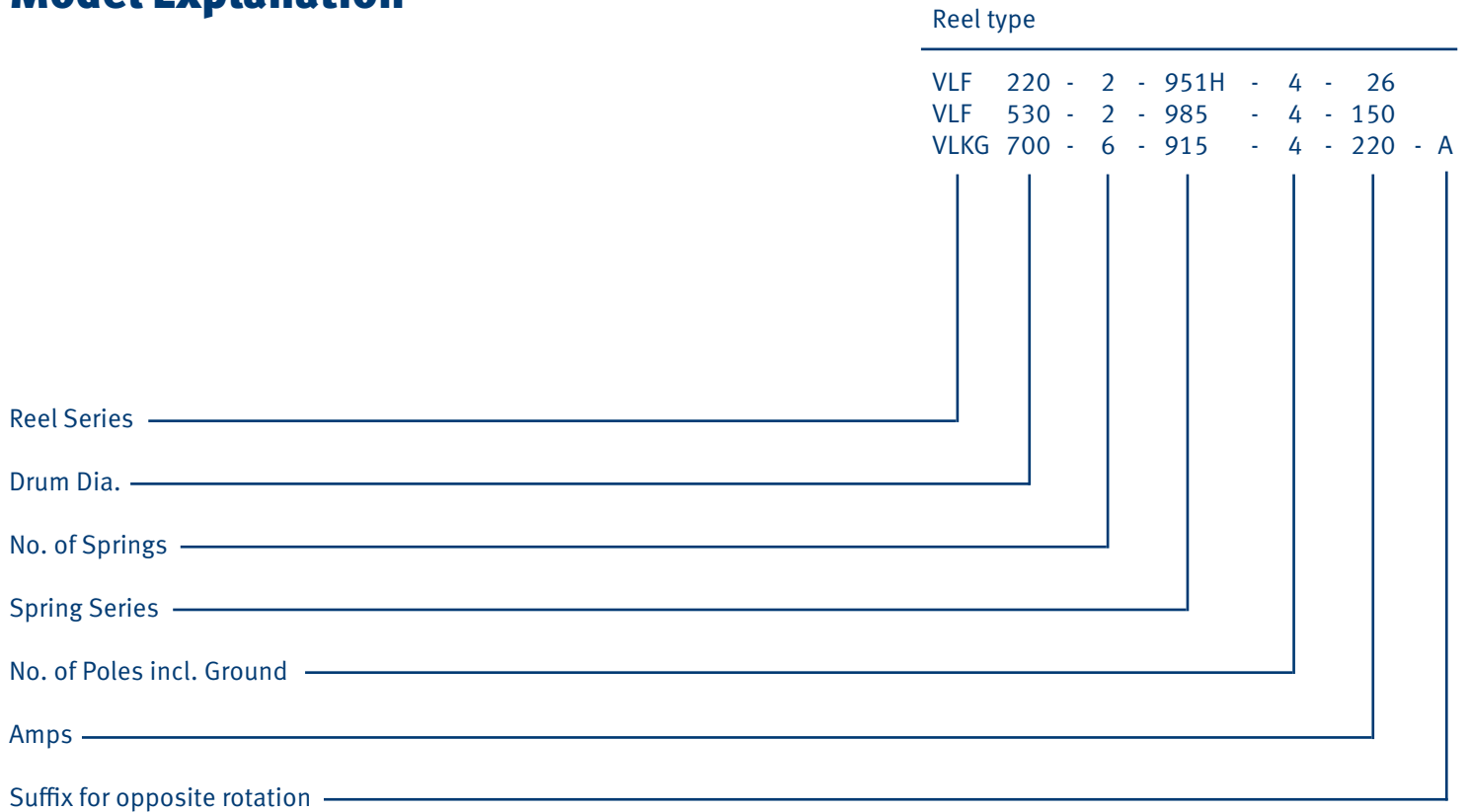
LF = Cable fixpoint

Note

For applications 2, 4, 5 and reels beyond the listed capacities please fill in the questionnaire on page 36 and consult your local agent or our factory.

1) The sloping cable length is relevant for cable reel selection. Also consider additional weight (control switch).

Model Explanation



Selecting a VAHLE Cable Reel

To select the right Vahle Reel from the Reel Selection Charts you must know the application (see page 6), the length and the type of cable (wire size, number of conductors, outside diameter, weight per meter).

Legend to Selection table:

l = max. operational length of cable

L = max. sloping cable length (m). („L“ can coincide with max. operational reeling length „l“).

h = max. mounting height = distance from cable tray or cable fix point to center of reel (m).

Measure „h“ might be exceeded if ground clearance is sufficient (e.g. for cable payout in one travel direction). Provide guide- or tension relief devices for cable payout in two travel directions or passing over the cable fix point.

LZ = No. of layers on reel (partly required for determination of cable cross section).

nv = required initial spring tension turns

n = max. operational and permissible turns for max. cable length „l“.

Z = max. reel torque for cable payout (N)

f = max. cable loop depth relating to cable fixpoint "LF" (m)

Note

Initial spring tension nv can be increased when reducing the max. cable length to be handled. However, never exceed the total permissible turns nv+n.

Reel selection table

for application 1, 3 and 9, random wrap, horizontal/vertical cable payout or steeply rising

Trommelflex Pur - H 4 x 1,5 mm², Ø 11,2 mm, 0,155 kg/m

| l(m) | h(m) | LZ~ | Reel type | weight (kg) | nv(U) | n(U) | Z(N) | Order No. |
|------|------|-----|-------------------|-------------|-------|------|------|-----------|
| 7 | 0,5 | 1,7 | VLF155-1-908-4-26 | 3,1 | 2 | 13 | 40 | 902 010 |
| 12 | 0,5 | 2,0 | VLF180-1-931-4-26 | 9,0 | 2 | 19 | 60 | 902 020 |
| 27 | 0,5 | 4,0 | VLF180-2-931H4-26 | 11,0 | 4 | 38 | 60 | 902 022 |
| 28 | 1,0 | 5,0 | VLF220-3-951H4-26 | 15,5 | 4 | 36 | 100 | 901 513 |
| 44 | 1,0 | 3,9 | VLF222-3-951H4-26 | 23,1 | 6 | 54 | 100 | 901 514 |
| 47 | 1,0 | 3,0 | VLF300-2-952H4-26 | 28,0 | 4 | 45 | 100 | 902 291 |
| 72 | 1,0 | 4,0 | VLF301-3-952H4-26 | 34,2 | 6 | 69 | 100 | 901 515 |
| 83 | 1,5 | 3,0 | VLF420-2-953H4-36 | 56,0 | 4 | 58 | 120 | 902 401 |

Trommelflex Pur - H 5 x 1,5 mm², Ø 11,8 mm, 0,178 kg/m

| l(m) | h(m) | LZ~ | Reel type | weight (kg) | nv(U) | n(U) | Z(N) | Order No. |
|------|------|-----|-------------------|-------------|-------|------|------|-----------|
| 7 | 0,5 | 1,7 | VLF155-1-908-5-26 | 3,5 | 2 | 13 | 40 | 902 016 |
| 12 | 0,5 | 2,0 | VLF180-1-931-5-26 | 9,0 | 2 | 19 | 60 | 902 040 |
| 20 | 0,5 | 4,0 | VLF180-2-931H5-26 | 11,0 | 4 | 37 | 60 | 902 042 |
| 26 | 1,0 | 3,0 | VLF220-2-951H5-26 | 19,0 | 4 | 33 | 100 | 902 132 |
| 39 | 1,0 | 4,0 | VLF222-3-951H5-26 | 22,0 | 6 | 49 | 100 | 901 521 |
| 47 | 1,0 | 3,0 | VLF300-2-952H5-26 | 28,0 | 4 | 45 | 100 | 902 322 |
| 73 | 1,0 | 4,0 | VLF301-3-952H5-26 | 34,2 | 6 | 69 | 100 | 901 376 |
| 83 | 1,5 | 2,9 | VLF420-2-953H5-36 | 56,0 | 4 | 58 | 120 | 902 441 |

Trommelflex Pur - H 7 x 1,5 mm², Ø 13,5 mm, 0,218 kg/m

| l(m) | h(m) | LZ~ | Reel type | weight (kg) | nv(U) | n(U) | Z(N) | Order No. |
|------|------|-----|-------------------|-------------|-------|------|------|-----------|
| 7 | 0,5 | 1,9 | VLF155-1-908-7-26 | 3,5 | 2 | 13 | 40 | 902 008 |
| 10 | 0,5 | 3,0 | VLF180-1-931-7-26 | 10,5 | 2 | 16 | 60 | 902 043 |
| 12 | 1,0 | 3,0 | VLF220-1-951-7-26 | 19,5 | 2 | 16,5 | 100 | 902 160 |
| 20 | 1,0 | 3,0 | VLF220-2-951H7-26 | 21,5 | 4 | 25 | 100 | 902 116 |
| 26 | 1,0 | 4,0 | VLF221-2-951H7-26 | 22,8 | 2 | 33 | 100 | 902 282 |
| 41 | 1,0 | 5,0 | VLF222-3-951H7-26 | 23,1 | 6 | 49 | 100 | 901 516 |
| 49 | 1,0 | 3,5 | VLF300-2-952H7-26 | 28,0 | 4 | 45 | 100 | 902 352 |
| 73 | 1,0 | 4,0 | VLF301-3-952H7-26 | 34,2 | 6 | 67 | 100 | 901 517 |
| 80 | 1,5 | 4,0 | VLF420-2-953H7-36 | 57,0 | 4 | 57 | 120 | 902 481 |

The spring reelers highlighted in blue are pre-assembled and available in two weeks ex works.

Trommelflex Pur - H 12 x 1,5 mm², Ø 17,0 mm, 0,363 kg/m

| l(m) | h(m) | LZ~ | Reel type | weight (kg) | nv(U) | n(U) | Z(N) | Order No. |
|------|------|-----|--------------------|-------------|-------|------|------|-----------|
| 7 | 0,5 | 2,0 | VLf180-1-931-12-26 | 10,5 | 2 | 12 | 60 | 902 058 |
| 12 | 1,0 | 3,0 | VLf220-1-951-12-26 | 19,5 | 2 | 16,5 | 100 | 902 183 |
| 22 | 1,0 | 4,0 | VLf220-2-951H12-26 | 22,5 | 2 | 30 | 100 | 901 364 |
| 29 | 1,0 | 4,0 | VLf221-2-951H12-26 | 23,5 | 4 | 33 | 100 | 902 283 |
| 32 | 1,0 | 4,0 | VLf222-3-951H12-26 | 26,0 | 6 | 38 | 100 | 901 518 |
| 50 | 1,0 | 4,0 | VLf300-2-952H12-26 | 30,0 | 4 | 45 | 100 | 902 372 |
| 56 | 1,5 | 4,0 | VLf301-3-972H12-26 | 44,0 | 6 | 35 | 170 | 901 519 |
| 71 | 1,5 | 4,0 | VLf420-2-983H12-36 | 57,0 | 4 | 49 | 120 | 902 504 |
| 79 | 1,5 | 4,0 | VLf420-2-953H12-36 | 59,0 | 4 | 54 | 120 | 902 502 |
| 85 | 1,5 | 5,0 | VLf421-2-953H12-36 | 63,0 | 4 | 57 | 120 | 902 570 |
| 106 | 1,5 | 3,5 | VLK530-4-924-12-36 | 128,0 | 5 | 57 | 160 | 901 520 |

Trommelflex Pur - H 18 x 1,5 mm², Ø 18,1 mm, 0,459 kg/m

| l(m) | h(m) | LZ~ | Reel type | weight (kg) | nv(U) | n(U) | Z(N) | Order No. |
|------|------|-----|--------------------|-------------|-------|------|------|-----------|
| 8 | 1,0 | 2,0 | VLf220-1-951-18-26 | 20,5 | 2 | 16,5 | 100 | 902 115 |
| 11 | 1,0 | 2,5 | VLf220-2-951-18-36 | 22,0 | 2 | 13 | 200 | 902 193 |
| 18 | 1,0 | 3,0 | VLf221-2-951H18-26 | 25,0 | 4 | 22 | 100 | 902 281 |
| 23 | 1,0 | 3,0 | VLf300-2-952-18-26 | 31,0 | 4 | 22,5 | 210 | 902 377 |
| 29 | 1,5 | 3,0 | VLf300-2-972H18-26 | 38,0 | 4 | 28 | 180 | 901 435 |
| 33 | 1,5 | 3,0 | VLf420-1-983-18-36 | 55,0 | 2 | 24 | 120 | 902 506 |
| 40 | 1,5 | 4,0 | VLf420-1-953-18-36 | 56,0 | 2 | 29 | 120 | 901 436 |
| 73 | 1,5 | 4,0 | VLf420-2-983H18-36 | 58,0 | 4 | 49 | 120 | 902 509 |
| 87 | 1,5 | 5,0 | VLf421-2-953H18-36 | 61,0 | 4 | 57 | 120 | 901 522 |

Trommelflex Pur - H 24 x 1,5 mm², Ø 20,9 mm, 0,590 kg/m

| l(m) | h(m) | LZ~ | Reel type | weight (kg) | nv(U) | n(U) | Z(N) | Order No. |
|------|------|-----|---------------------|-------------|-------|------|------|-----------|
| 14 | 1,0 | 2,0 | VLf300-1-952-24-36 | 29,0 | 2 | 16 | 100 | 902 378 |
| 24 | 1,0 | 3,0 | VLf300-2-952-24-36 | 31,0 | 2 | 22 | 210 | 902 380 |
| 35 | 1,5 | 3,0 | VLf420-2-983-24-36 | 59,0 | 2 | 24 | 240 | 902 521 |
| 41 | 1,5 | 3,0 | VLf420-2-953-24-36 | 61,0 | 2 | 28 | 240 | 902 520 |
| 45 | 1,5 | 3,1 | VLf421-2-953-24-36 | 68,0 | 2 | 29 | 240 | 901 523 |
| 76 | 1,5 | 3,3 | VLf530-2-986H24-36 | 117,0 | 4 | 40 | 245 | 903 804 |
| 89 | 1,5 | 3,8 | VLKG530-6-924-24-36 | 152,0 | 4 | 46 | 305 | 901 524 |

The spring reels highlighted in blue are pre-assembled and available in two weeks ex works.

Reel selection table

for application 1, 3 and 9, random wrap, horizontal/vertical cable payout or steeply rising

Trommelflex Pur - H 30 x 1,5 mm², Ø 24,0 mm, 0,720 kg/m

| l(m) | h(m) | LZ~ | Reel type | weight (kg) | nv(U) | n(U) | Z(N) | Order No. |
|------|------|-----|---------------------|-------------|-------|------|------|-----------|
| 12 | 1,0 | 2,0 | VLF300-1-952-30-36 | 29,5 | 2 | 12 | 100 | 902 390 |
| 20 | 1,0 | 2,0 | VLF300-2-952-30-36 | 31,0 | 2 | 19 | 210 | 900 316 |
| 36 | 1,5 | 3,0 | VLF420-2-983-30-36 | 60,0 | 2 | 24 | 240 | 901 115 |
| 38 | 1,5 | 3,0 | VLF420-2-953-30-36 | 62,0 | 2 | 25 | 240 | 901 437 |
| 46 | 1,5 | 3,4 | VLF421-2-953-30-36 | 68,0 | 2 | 29 | 240 | 901 526 |
| 78 | 1,5 | 3,6 | VLF530-2-986H30-36 | 118,0 | 4 | 40 | 245 | 901 527 |
| 91 | 1,5 | 4,0 | VLKG530-6-924-30-36 | 152,0 | 4 | 46 | 305 | 901 528 |

Trommelflex Pur - H 4 x 2,5 mm², Ø 12,3 mm, 0,208 kg/m

| l(m) | h(m) | LZ~ | Reel type | weight (kg) | nv(U) | n(U) | Z(N) | Order No. |
|------|------|-----|-------------------|-------------|-------|------|------|-----------|
| 7 | 0,5 | 2,0 | VLF155-1-908-4-26 | 4,0 | 2 | 11,5 | 40 | 902 010 |
| 10 | 0,5 | 2,0 | VLF180-1-931-4-26 | 9,0 | 2 | 18 | 60 | 902 020 |
| 18 | 0,5 | 3,0 | VLF180-2-931H4-26 | 10,0 | 4 | 28 | 60 | 902 022 |
| 26 | 1,0 | 4,0 | VLF220-2-951H4-26 | 19,5 | 4 | 34 | 100 | 902 102 |
| 42 | 1,0 | 4,0 | VLF222-3-951H4-26 | 23,0 | 6 | 50 | 100 | 901 514 |
| 46 | 1,0 | 4,0 | VLF300-2-952H4-26 | 25,0 | 4 | 45 | 100 | 902 291 |
| 68 | 1,0 | 4,0 | VLF301-3-952H4-26 | 34,0 | 6 | 67 | 100 | 901 515 |
| 83 | 1,5 | 4,0 | VLF420-2-953H4-36 | 56,0 | 4 | 58 | 120 | 902 401 |
| 88 | 1,5 | 3,0 | VLF530-2-985H4-36 | 110,0 | 4 | 50 | 130 | 903 780 |
| 102 | 1,5 | 2,6 | VLK530-3-924-4-36 | 116,0 | 5 | 58 | 120 | 901 529 |

Trommelflex Pur - H 5 x 2,5 mm², Ø 13,0 mm, 0,230 kg/m

| l(m) | h(m) | LZ~ | Reel type | weight (kg) | nv(U) | n(U) | Z(N) | Order No. |
|------|------|-----|-------------------|-------------|-------|------|------|-----------|
| 7 | 0,5 | 1,0 | VLF155-1-908-5-26 | 6,0 | 2 | 12 | 40 | 902 016 |
| 10 | 0,5 | 2,0 | VLF180-1-931-5-26 | 10,0 | 2 | 18 | 60 | 902 040 |
| 18 | 0,5 | 3,0 | VLF180-2-931H5-26 | 11,0 | 4 | 28 | 60 | 902 042 |
| 26 | 1,0 | 2,9 | VLF220-2-951H5-26 | 16,0 | 4 | 25 | 100 | 902 132 |
| 40 | 1,0 | 3,5 | VLF220-3-951H5-26 | 18,5 | 6 | 33 | 100 | 901 530 |
| 46 | 1,0 | 4,0 | VLF300-2-952H5-26 | 25,5 | 4 | 45 | 100 | 902 322 |
| 69 | 1,0 | 4,0 | VLF300-3-952H5-26 | 28,0 | 6 | 67,5 | 100 | 902 329 |
| 80 | 1,5 | 3,5 | VLF420-2-953H5-36 | 56,0 | 4 | 57 | 120 | 902 441 |
| 103 | 1,5 | 2,6 | VLK530-3-924-5-36 | 116,0 | 6 | 58 | 120 | 901 844 |

The spring reels highlighted in blue are pre-assembled and available in two weeks ex works.

Trommelflex Pur - H 7 x 2,5 mm², Ø 14,7 mm, 0,315 kg/m

| l(m) | h(m) | LZ~ | Reel type | weight (kg) | nv(U) | n(U) | Z(N) | Order No. |
|------|------|-----|-------------------|-------------|-------|------|------|-----------|
| 10 | 0,5 | 2,0 | VLF180-1-931-7-26 | 9,0 | 2 | 18 | 60 | 902 043 |
| 12 | 0,5 | 3,0 | VLF220-1-951-7-26 | 15,5 | 2 | 16,5 | 100 | 902 160 |
| 17 | 1,0 | 3,0 | VLF220-2-951H7-26 | 19,0 | 4 | 33 | 100 | 902 116 |
| 26 | 1,0 | 4,0 | VLF221-2-951H7-26 | 20,0 | 4 | 33 | 100 | 902 282 |
| 41 | 1,0 | 5,0 | VLF222-3-951H7-26 | 21,0 | 6 | 49 | 100 | 901 516 |
| 47 | 1,0 | 4,0 | VLF300-2-952H7-26 | 29,0 | 4 | 45 | 100 | 902 352 |
| 71 | 1,0 | 4,0 | VLF301-3-952H7-26 | 35,0 | 6 | 67 | 100 | 901 517 |
| 81 | 1,5 | 4,0 | VLF420-2-953H7-36 | 55,0 | 4 | 57 | 120 | 902 481 |
| 104 | 1,5 | 2,9 | VLK530-4-924-7-36 | 129,0 | 5 | 58 | 160 | 901 531 |

Trommelflex Pur - H 12 x 2,5 mm², Ø 20,5 mm, 0,485 kg/m

| l(m) | h(m) | LZ~ | Reel type | weight (kg) | nv(U) | n(U) | Z(N) | Order No. |
|------|------|-----|---------------------|-------------|-------|------|------|-----------|
| 10 | 1,0 | 3,0 | VLF220-1-951-12-26 | 19,5 | 2 | 16,5 | 100 | 902 183 |
| 16 | 1,0 | 3,0 | VLF221-2-951H12-26 | 23,5 | 4 | 33 | 100 | 902 283 |
| 25 | 1,0 | 2,7 | VLF300-2-952-12-26 | 30,0 | 2 | 22 | 210 | 902 371 |
| 29 | 1,0 | 4,0 | VLF301-3-972H12-26 | 34,0 | 6 | 52 | 100 | 901 519 |
| 34 | 1,5 | 3,0 | VLF420-1-983-12-36 | 53,0 | 2 | 24 | 120 | 902 512 |
| 41 | 1,5 | 2,8 | VLF420-1-953-12-36 | 55,0 | 2 | 28 | 120 | 902 500 |
| 83 | 1,5 | 5,0 | VLF421-2-953H12-36 | 60,0 | 4 | 57 | 120 | 902 570 |
| 85 | 1,5 | 5,0 | VLF530-2-985H12-36 | 66,0 | 4 | 57 | 200 | 903 819 |
| 107 | 1,5 | 4,0 | VKLG530-5-924-12-36 | 142,0 | 5 | 56 | 200 | 901 532 |

Trommelflex Pur - H 18 x 2,5 mm², Ø 20,6 mm, 0,679 kg/m

| l(m) | h(m) | LZ~ | Reel type | weight (kg) | nv(U) | n(U) | Z(N) | Order No. |
|------|------|-----|---------------------|-------------|-------|------|------|-----------|
| 8 | 1,0 | 2,0 | VLF220-1-951-18-26 | 20,5 | 2 | 16,5 | 100 | 902 115 |
| 15 | 1,0 | 3,0 | VLF221-2-951H18-26 | 23,0 | 4 | 22 | 100 | 902 281 |
| 26 | 1,0 | 3,0 | VLF300-2-952H18-26 | 32,0 | 4 | 32 | 100 | 901 428 |
| 27 | 1,0 | 3,0 | VLF300-2-972H18-26 | 36,0 | 4 | 35 | 170 | 901 435 |
| 34 | 1,5 | 3,0 | VLF420-2-983-18-36 | 58,0 | 2 | 24 | 240 | 902 510 |
| 45 | 1,5 | 3,0 | VLF420-2-953H18-36 | 60,0 | 4 | 57 | 120 | 901 533 |
| 69 | 1,5 | 3,0 | VLF530-2-986H18-36 | 65,0 | 4 | 40 | 245 | 901 534 |
| 87 | 1,5 | 3,4 | VLK530-4-924-18-36 | 140,0 | 4 | 46 | 200 | 901 535 |
| 104 | 1,5 | 4,0 | VKLG530-5-924-18-36 | 150,0 | 5 | 54 | 200 | 901 536 |

The spring reelers highlighted in blue are pre-assembled and available in two weeks ex works.

Reel selection table

for application 1, 3 and 9, random wrap, horizontal/vertical cable payout or steeply rising

Trommelflex Pur - H 24 x 2,5 mm², Ø 23,6 mm, 0,860 kg/m

| l(m) | h(m) | LZ~ | Reel type | weight (kg) | nv(U) | n(U) | Z(N) | Order No. |
|------|------|-----|---------------------|-------------|-------|------|------|-----------|
| 12 | 1,0 | 2,0 | VLF300-1-972-24-36 | 35,0 | 2 | 19 | 165 | 901 438 |
| 22 | 1,0 | 3,0 | VLF300-2-972-24-36 | 35,0 | 2 | 19 | 330 | 902 294 |
| 36 | 1,5 | 3,0 | VLF421-2-983-24-36 | 63,0 | 2 | 24 | 240 | 901 537 |
| 43 | 1,5 | 3,6 | VLF421-2-953-24-36 | 70,0 | 2 | 29 | 240 | 901 523 |
| 79 | 1,5 | 3,8 | VLF530-2-986H24-36 | 133,0 | 4 | 40 | 245 | 903 804 |
| 88 | 1,5 | 4,0 | VLKG530-5-925-24-36 | 144,0 | 5 | 44 | 300 | 901 538 |

Trommelflex Pur - H 30 x 2,5 mm², Ø 28,2 mm, 1,080 kg/m

| l(m) | h(m) | LZ~ | Reel type | weight (kg) | nv(U) | n(U) | Z(N) | Order No. |
|------|------|-----|---------------------|-------------|-------|------|------|-----------|
| 8 | 1,5 | 1,0 | VLF420-1-983-30-36 | 68,0 | 2 | 24 | 120 | 902 525 |
| 20 | 1,5 | 2,0 | VLF420-2-983-30-36 | 68,0 | 2 | 24 | 240 | 901 115 |
| 33 | 1,5 | 4,0 | VLF421-2-953-30-36 | 75,0 | 2 | 28 | 240 | 901 526 |
| 77 | 1,5 | 4,0 | VLF530-2-986H30-36 | 135,5 | 4 | 38 | 245 | 901 527 |
| 98 | 1,5 | 3,6 | VLKG700-6-925-30-36 | 238,0 | 4 | 39 | 340 | 901 227 |

Trommelflex Pur - H 4 x 4 mm², Ø 13,6 mm, 0,281 kg/m

| l(m) | h(m) | LZ~ | Reel type | weight (kg) | nv(U) | n(U) | Z(N) | Order No. |
|------|------|-----|-------------------|-------------|-------|------|------|-----------|
| 10 | 0,5 | 2,0 | VLF180-1-931-4-40 | 8,5 | 2 | 18 | 60 | 901 102 |
| 12 | 0,5 | 3,0 | VLF220-1-951-4-40 | 18,0 | 2 | 25 | 100 | 902 110 |
| 16 | 1,0 | 3,0 | VLF220-2-951H4-40 | 20,0 | 4 | 33 | 100 | 902 114 |
| 26 | 1,0 | 4,0 | VLF221-2-951H4-40 | 22,0 | 4 | 33 | 100 | 902 214 |
| 47 | 1,0 | 4,0 | VLF300-2-952H4-40 | 31,0 | 4 | 45 | 100 | 902 302 |
| 73 | 1,0 | 3,5 | VLF301-3-952H4-40 | 37,0 | 6 | 67 | 100 | 901 402 |
| 81 | 1,5 | 4,0 | VLF420-2-953H4-42 | 55,0 | 4 | 58 | 120 | 902 411 |
| 103 | 1,5 | 2,7 | VLK530-4-924-4-42 | 156,0 | 5 | 58 | 160 | 901 539 |

Trommelflex Pur - H 5 x 4 mm², Ø 14,5 mm, 0,318 kg/m

| l(m) | h(m) | LZ~ | Reel type | weight (kg) | nv(U) | n(U) | Z(N) | Order No. |
|------|------|-----|-------------------|-------------|-------|------|------|-----------|
| 4 | 0,5 | 1,0 | VLF180-1-931-5-40 | 7,8 | 2 | 18 | 60 | 901 287 |
| 9 | 0,5 | 2,0 | VLF180-2-931-5-40 | 8,5 | 2 | 18 | 120 | 902 050 |
| 12 | 0,5 | 3,0 | VLF220-1-951-5-40 | 17,5 | 2 | 16 | 100 | 902 140 |
| 26 | 1,0 | 4,0 | VLF221-2-951H5-40 | 21,0 | 4 | 33 | 100 | 902 251 |
| 41 | 1,0 | 5,0 | VLF222-3-951H5-40 | 24,0 | 6 | 49 | 100 | 901 540 |
| 50 | 1,0 | 3,9 | VLF300-2-952H5-40 | 28,0 | 4 | 45 | 100 | 902 331 |
| 70 | 1,0 | 4,0 | VLF301-3-952H5-40 | 36,5 | 6 | 67 | 100 | 901 541 |
| 81 | 1,5 | 4,0 | VLF420-2-953H5-42 | 55,5 | 4 | 57 | 120 | 902 451 |
| 104 | 1,5 | 3,0 | VLK530-4-924-5-42 | 156,0 | 5 | 58 | 160 | 901 542 |

The spring reelers highlighted in blue are pre-assembled and available in two weeks ex works.

Trommelflex Pur - H 4 x 6 mm², Ø 14,9 mm, 0,372 kg/m

| l(m) | h(m) | LZ~ | Reel type | weight (kg) | nv(U) | n(U) | Z(N) | Order No. |
|------|------|-----|-------------------|-------------|-------|------|------|-----------|
| 12 | 1,0 | 3,0 | VLF220-1-951-4-60 | 16,0 | 2 | 16 | 100 | 902 120 |
| 21 | 1,0 | 3,0 | VLF220-2-951H4-60 | 18,0 | 4 | 33 | 100 | 902 107 |
| 26 | 1,0 | 4,0 | VLF221-2-951H4-60 | 22,0 | 4 | 33 | 100 | 901 439 |
| 50 | 1,0 | 3,9 | VLF300-2-952H4-60 | 31,0 | 4 | 45 | 100 | 902 312 |
| 57 | 1,0 | 4,0 | VLF301-3-952H4-60 | 37,0 | 6 | 55 | 100 | 901 543 |
| 69 | 1,5 | 4,0 | VLF420-2-983H4-60 | 54,0 | 4 | 48 | 120 | 902 425 |
| 82 | 1,5 | 4,0 | VLF420-2-953H4-60 | 56,0 | 4 | 57 | 120 | 902 422 |
| 105 | 1,5 | 3,1 | VLK530-4-924-4-60 | 156,0 | 5 | 58 | 180 | 901 544 |

Trommelflex Pur - H 5 x 6 mm², Ø 16,1 mm, 0,435 kg/m

| l(m) | h(m) | LZ~ | Reel type | weight (kg) | nv(U) | n(U) | Z(N) | Order No. |
|------|------|-----|--------------------|-------------|-------|------|------|-----------|
| 9 | 1,0 | 2,9 | VLF220-1-951-5-60 | 19,1 | 2 | 16 | 100 | 902 150 |
| 12 | 1,0 | 3,0 | VLF221-1-951-5-60 | 20,0 | 2 | 16 | 100 | 901 545 |
| 27 | 1,0 | 4,0 | VLF221-2-951H5-60 | 20,5 | 4 | 33 | 100 | 901 546 |
| 32 | 1,0 | 4,0 | VLF222-3-951H5-60 | 24,0 | 6 | 48 | 100 | 901 547 |
| 37 | 1,0 | 4,0 | VLF300-2-972H5-60 | 30,0 | 4 | 35 | 170 | 902 326 |
| 55 | 1,0 | 4,0 | VLF300-3-972H5-60 | 36,0 | 6 | 52 | 170 | 901 548 |
| 71 | 1,5 | 4,0 | VLF420-2-983H5-60 | 55,0 | 4 | 49 | 120 | 902 465 |
| 84 | 1,5 | 5,0 | VLF420-2-953H5-60 | 57,0 | 4 | 57 | 120 | 902 462 |
| 106 | 1,5 | 3,3 | VLKG530-5-924-5-60 | 168,0 | 5 | 58 | 200 | 901 549 |

Trommelflex Pur - H 4 x 10 mm², Ø 18,9 mm, 0,615 kg/m

| l(m) | h(m) | LZ~ | Reel type | weight (kg) | nv(U) | n(U) | Z(N) | Order No. |
|------|------|-----|--------------------|-------------|-------|------|------|-----------|
| 7 | 1,0 | 2,0 | VLF220-1-951-4-60 | 19,0 | 2 | 16 | 100 | 902 120 |
| 13 | 1,0 | 3,0 | VLF220-2-951-4-60 | 21,0 | 2 | 16 | 200 | 902 123 |
| 20 | 1,0 | 3,0 | VLF221-2-951H4-50 | 22,0 | 4 | 33 | 100 | 901 439 |
| 17 | 1,0 | 2,0 | VLF300-1-972-4-60 | 26,0 | 2 | 17 | 170 | 901 401 |
| 23 | 1,0 | 3,0 | VLF300-2-952-4-60 | 28,0 | 2 | 22 | 200 | 902 311 |
| 29 | 1,0 | 3,0 | VLF300-2-972H4-60 | 30,0 | 4 | 34 | 170 | 901 309 |
| 34 | 1,5 | 4,0 | VLF420-2-983-4-60 | 55,0 | 2 | 23 | 240 | 902 424 |
| 40 | 1,5 | 3,0 | VLF420-2-953-4-60 | 57,0 | 2 | 28 | 240 | 902 421 |
| 45 | 1,5 | 3,0 | VLF420-2-984H4-60 | 59,0 | 4 | 32 | 235 | 902 414 |
| 68 | 1,5 | 3,0 | VLF530-2-986H4-60 | 131,0 | 4 | 40 | 245 | 903 783 |
| 85 | 1,5 | 4,0 | VLK530-4-924-4-60 | 156,0 | 4 | 46 | 200 | 901 544 |
| 110 | 1,5 | 3,9 | VLKG530-5-924-4-60 | 168,0 | 5 | 58 | 200 | 901 550 |

The spring reels highlighted in blue are pre-assembled and available in two weeks ex works.

Reel selection table

for application 1, 3 and 9, random wrap, horizontal/vertical cable payout or steeply rising

Trommelflex Pur - H 4 x 16 mm², Ø 22,1 mm, 0,924 kg/m

| l(m) | h(m) | LZ~ | Reel type | weight (kg) | nv(U) | n(U) | Z(N) | Order No. |
|------|------|-----|-------------------|-------------|-------|------|------|-----------|
| 14 | 1,0 | 2,0 | VL300-1-952-4-125 | 25,0 | 2 | 15 | 100 | 901 443 |
| 20 | 1,0 | 3,0 | VL300-2-952-4-125 | 28,0 | 2 | 22 | 200 | 901 122 |
| 25 | 1,0 | 2,0 | VL420-2-983-4-150 | 58,0 | 2 | 24 | 240 | 902 430 |
| 35 | 1,5 | 2,0 | VL421-2-983-4-150 | 60,0 | 2 | 24 | 240 | 902 541 |
| 42 | 1,5 | 4,0 | VL421-2-953-4-150 | 62,0 | 2 | 28 | 240 | 902 540 |
| 71 | 1,5 | 4,0 | VL530-2-986H4-150 | 131,0 | 4 | 40 | 245 | 903 788 |
| 90 | 1,5 | 3,9 | VL530-4-924-4-150 | 156,0 | 4 | 46 | 200 | 901 551 |

Trommelflex Pur - H 4 x 25 mm², Ø 25,5 mm, 1,222 kg/m

| l(m) | h(m) | LZ~ | Reel type | weight (kg) | nv(U) | n(U) | Z(N) | Order No. |
|------|------|-----|-------------------|-------------|-------|------|------|-----------|
| 15 | 1,5 | 2,0 | VL420-2-983-4-150 | 58,0 | 2 | 14 | 240 | 902 430 |
| 20 | 1,5 | 2,0 | VL420-1-984-4-150 | 58,0 | 2 | 16 | 230 | 901 552 |
| 33 | 1,5 | 3,0 | VL421-2-983-4-150 | 60,0 | 2 | 25 | 240 | 902 541 |
| 42 | 1,5 | 2,6 | VL530-2-985-4-150 | 112,0 | 2 | 25 | 260 | 903 784 |
| 80 | 1,5 | 4,0 | VL530-4-924-4-150 | 138,0 | 4 | 46 | 200 | 901 551 |
| 117 | 1,5 | 4,0 | VL700-6-924-4-150 | 240,0 | 4 | 46 | 230 | 901 553 |

Trommelflex Pur - H 4 x 35 mm², Ø 30,0 mm, 1,780 kg/m

| l(m) | h(m) | LZ~ | Reel type | weight (kg) | nv(U) | n(U) | Z(N) | Order No. |
|------|------|-----|-------------------|-------------|-------|------|------|-----------|
| 8 | 1,5 | 1,0 | VL420-1-983-4-150 | 55,0 | 2 | 8 | 120 | 901 554 |
| 20 | 1,5 | 2,0 | VL420-2-983-4-150 | 58,0 | 2 | 15 | 240 | 902 430 |
| 31 | 1,5 | 2,0 | VL530-1-986-4-150 | 111,0 | 2 | 19 | 245 | 901 555 |
| 49 | 1,5 | 2,8 | VL530-2-985-4-150 | 112,0 | 2 | 25 | 265 | 903 784 |
| 100 | 1,5 | 3,7 | VL700-4-925-4-150 | 188,0 | 4 | 39 | 230 | 903 190 |

The spring reelers highlighted in blue are pre-assembled and available in two weeks ex works.

Reel selection table

for the application samples 6 and 7, random wrap, horizontal cable payout

Trommelflex Pur - H 4 x 1,5 mm², Ø 11,2 mm, 0,155 kg/m

| l(m) | h(m) | ~f(m) | LZ~ | Reel type | weight (kg) | nv(U) | n(U) | Z(N) | Order No. |
|------|------|-------|-----|-------------------|-------------|-------|------|------|-----------|
| 7 | 1,0 | 0,5 | 1,7 | VLF155-1-908-4-26 | 3,1 | 2 | 13 | 40 | 902 010 |
| 12 | 1,0 | 0,6 | 1,9 | VLF180-1-931-4-26 | 9,0 | 2 | 19 | 60 | 902 020 |
| 22 | 1,5 | 1,0 | 3,0 | VLF220-2-951H4-26 | 19,0 | 4 | 31 | 100 | 902 102 |
| 30 | 1,5 | 1,1 | 2,0 | VLF300-2-972H4-26 | 52,0 | 12 | 30 | 165 | 902 293 |
| 35 | 1,5 | 1,0 | 1,4 | VLF420-2-983-4-36 | 56,0 | 2 | 25 | 240 | 901 595 |
| 40 | 1,5 | 1,2 | 1,0 | VLF530-2-985-4-36 | 110,0 | 3 | 24 | 260 | 901 592 |

Trommelflex Pur - H 5 x 1,5 mm², Ø 11,8 mm, 0,178 kg/m

| l(m) | h(m) | ~f(m) | LZ~ | Reel type | weight (kg) | nv(U) | n(U) | Z(N) | Order No. |
|------|------|-------|-----|-------------------|-------------|-------|------|------|-----------|
| 7 | 1,0 | 0,5 | 1,7 | VLF155-1-908-5-26 | 3,1 | 2 | 13 | 40 | 902 016 |
| 8 | 1,0 | 0,7 | 2,0 | VLF155-2-908H5-26 | 3,7 | 10 | 15 | 40 | 902 015 |
| 12 | 0,5 | 0,6 | 2,1 | VLF180-1-931-5-26 | 10,5 | 2 | 19 | 60 | 902 040 |
| 16 | 0,5 | 0,3 | 2,4 | VLF220-2-951-5-26 | 19,0 | 2 | 18 | 200 | 902 131 |
| 28 | 1,5 | 1,1 | 2,0 | VLF300-2-972H5-26 | 52,0 | 11 | 28 | 165 | 902 325 |
| 34 | 1,5 | 1,0 | 1,4 | VLF420-2-983-5-36 | 56,0 | 2 | 24 | 240 | 902 442 |
| 37 | 1,5 | 1,2 | 1,0 | VLF530-2-985-5-36 | 110,0 | 3 | 22 | 260 | 901 593 |

Trommelflex Pur - H 7 x 1,5 mm², Ø 13,5 mm, 0,218 kg/m

| l(m) | h(m) | ~f(m) | LZ~ | Reel type | weight (kg) | nv(U) | n(U) | Z(N) | Order No. |
|------|------|-------|-----|-------------------|-------------|-------|------|------|-----------|
| 7 | 0,5 | 0,5 | 1,8 | VLF155-1-908-7-26 | 3,1 | 2 | 13 | 40 | 902 008 |
| 12 | 1,0 | 0,4 | 2,0 | VLF220-1-951-7-26 | 18,0 | 3 | 16 | 100 | 902 160 |
| 22 | 1,0 | 1,0 | 1,8 | VLF300-2-972H7-26 | 34,0 | 10 | 22 | 165 | 902 295 |
| 35 | 1,5 | 2,0 | 1,6 | VLF420-2-953-7-36 | 57,0 | 6 | 25 | 240 | 901 567 |
| 43 | 1,5 | 2,0 | 1,2 | VLF530-2-985-7-36 | 111,0 | 2 | 25 | 260 | 901 594 |

The spring reelers highlighted in blue are pre-assembled and available in two weeks ex works.

Reel selection table

for the application samples 6 and 7, random wrap, horizontal cable payout

Trommelflex Pur - H 12 x 1,5 mm², Ø 17 mm, 0,363 kg/m

| l(m) | h(m) | ~f(m) | LZ~ | Reel type | weight (kg) | nv(U) | n(U) | Z(N) | Order No. |
|------|------|-------|-----|---------------------|-------------|-------|------|------|-----------|
| 7 | 1,0 | 0,4 | 2,0 | VLF180-1-931-12-26 | 10,0 | 10 | 12 | 60 | 902 058 |
| 20 | 1,5 | 0,9 | 2,0 | VLF300-2-952-12-26 | 30,0 | 3 | 19 | 210 | 902 371 |
| 28 | 2,0 | 1,5 | 1,6 | VLF420-2-983-12-36 | 58,0 | 5 | 20 | 240 | 902 503 |
| 34 | 1,5 | 1,1 | 1,3 | VLF530-2-986-12-36 | 132,0 | 2 | 20 | 490 | 903 799 |
| 40 | 2,0 | 1,7 | 1,8 | VLKG530-5-925-12-36 | 150,0 | 15 | 23 | 430 | 901 557 |

Trommelflex Pur - H 4 x 2,5 mm², Ø 12,3 mm, 0,208 kg/m

| l(m) | h(m) | ~f(m) | LZ~ | Reel type | weight (kg) | nv(U) | n(U) | Z(N) | Order No. |
|------|------|-------|-----|-------------------|-------------|-------|------|------|-----------|
| 7 | 1,0 | 0,5 | 2,0 | VLF155-1-908-4-26 | 3,1 | 2 | 13 | 40 | 902 010 |
| 10 | 1,0 | 0,5 | 2,0 | VLF180-1-931-4-26 | 10,5 | 3 | 18 | 60 | 902 020 |
| 14 | 0,5 | 0,3 | 2,2 | VLF220-2-951-4-26 | 19,5 | 2 | 18 | 200 | 902 101 |
| 25 | 1,5 | 1,0 | 1,9 | VLF300-2-972H4-26 | 52,0 | 17 | 25 | 165 | 902 293 |
| 33 | 1,5 | 1,2 | 1,4 | VLF420-2-983-4-36 | 56,0 | 3 | 24 | 240 | 901 595 |
| 37 | 2,0 | 1,4 | 1,0 | VLF530-2-985-4-36 | 110,0 | 5 | 22 | 265 | 901 592 |

Trommelflex Pur - H 5 x 2,5 mm², Ø 13 mm, 0,23 kg/m

| l(m) | h(m) | ~f(m) | LZ~ | Reel type | weight (kg) | nv(U) | n(U) | Z(N) | Order No. |
|------|------|-------|-----|-------------------|-------------|-------|------|------|-----------|
| 7 | 1,0 | 0,5 | 1,9 | VLF155-1-908-5-26 | 3,1 | 2 | 13 | 40 | 902 016 |
| 10 | 1,0 | 0,6 | 3,0 | VLF180-1-931-5-26 | 10,8 | 3 | 18 | 120 | 902 040 |
| 14 | 0,5 | 0,6 | 2,2 | VLF220-2-951H5-26 | 19,5 | 4 | 18 | 100 | 902 132 |
| 22 | 1,0 | 0,7 | 1,7 | VLF300-2-952-5-26 | 31,0 | 2 | 22 | 210 | 902 321 |
| 25 | 1,5 | 1,1 | 1,9 | VLF300-2-972H5-26 | 52,0 | 17 | 25 | 165 | 902 325 |
| 30 | 1,5 | 1,1 | 1,4 | VLF420-2-983-5-36 | 56,0 | 5 | 22 | 240 | 902 442 |
| 37 | 2,0 | 1,5 | 1,1 | VLF530-2-985-5-36 | 110,0 | 5 | 22 | 267 | 901 593 |

Trommelflex Pur - H 7 x 2,5 mm², Ø 14,7 mm, 0,315 kg/m

| l(m) | h(m) | ~f(m) | LZ~ | Reel type | weight (kg) | nv(U) | n(U) | Z(N) | Order No. |
|------|------|-------|-----|-------------------|-------------|-------|------|------|-----------|
| 10 | 1,0 | 0,7 | 3,0 | VLF180-1-931-7-26 | 11,0 | 3 | 18 | 60 | 902 043 |
| 14 | 1,0 | 0,4 | 2,5 | VLF220-2-951-7-26 | 20,0 | 2 | 18 | 200 | 902 162 |
| 22 | 1,5 | 0,9 | 1,9 | VLF300-2-952-7-26 | 31,0 | 2 | 22 | 210 | 902 351 |
| 26 | 2,0 | 1,6 | 2,2 | VLF300-2-972H7-26 | 52,0 | 17 | 25 | 165 | 902 295 |
| 31 | 2,0 | 1,6 | 1,6 | VLF420-2-983-7-36 | 57,0 | 4 | 23 | 240 | 902 483 |
| 34 | 2,0 | 1,7 | 1,1 | VLF530-2-985-7-36 | 110,0 | 7 | 20 | 267 | 901 594 |

The spring reelers highlighted in blue are pre-assembled and available in two weeks ex works.

Trommelflex Pur - H 12 x 2,5 mm², Ø 20,5 mm, 0,485 kg/m

| l(m) | h(m) | ~f(m) | LZ~ | Reel type | weight (kg) | nv(U) | n(U) | Z(N) | Order No. |
|------|------|-------|-----|--------------------|-------------|-------|------|------|-----------|
| 10 | 1,5 | 1,0 | 2,0 | VLF220-1-951-12-26 | 19,5 | 4 | 15 | 100 | 902 183 |
| 20 | 1,5 | 1,1 | 2,4 | VLF300-2-952-12-26 | 30,0 | 6 | 18 | 210 | 902 371 |
| 25 | 2,0 | 1,6 | 1,7 | VLF300-2-972-12-36 | 58,0 | 10 | 17 | 240 | 902 375 |
| 35 | 2,0 | 1,5 | 1,5 | VLF530-2-986-12-36 | 132,0 | 2 | 20 | 490 | 903 799 |

Trommelflex Pur - H 4 x 4 mm², Ø 13,4 mm, 0,28 kg/m

| l(m) | h(m) | ~f(m) | LZ~ | Reel type | weight (kg) | nv(U) | n(U) | Z(N) | Order No. |
|------|------|-------|-----|-------------------|-------------|-------|------|------|-----------|
| 7 | 1,0 | 0,5 | 2,0 | VLF155-1-908-4-40 | 3,1 | 2 | 13 | 40 | 901 573 |
| 10 | 2,0 | 0,5 | 2,0 | VLF180-1-931-4-40 | 8,5 | 4 | 17 | 60 | 901 102 |
| 17 | 1,5 | 1,0 | 2,7 | VLF220-2-951H4-40 | 20,0 | 14 | 21 | 100 | 902 114 |
| 22 | 1,5 | 1,0 | 1,8 | VLF300-2-952-4-40 | 31,0 | 2 | 22 | 200 | 902 301 |
| 29 | 1,5 | 1,7 | 1,4 | VLF420-2-983-4-42 | 57,0 | 7 | 20 | 240 | 902 412 |
| 33 | 1,5 | 1,6 | 1,0 | VLF530-2-986-4-42 | 90,0 | 2 | 20 | 245 | 903 806 |

Trommelflex Pur - H 4 x 6 mm², Ø 14,9 mm, 0,372 kg/m

| l(m) | h(m) | ~f(m) | LZ~ | Reel type | weight (kg) | nv(U) | n(U) | Z(N) | Order No. |
|------|------|-------|-----|-------------------|-------------|-------|------|------|-----------|
| 10 | 1,5 | 0,5 | 2,0 | VLF220-1-951-4-60 | 19,0 | 3 | 16 | 100 | 902 120 |
| 19 | 1,5 | 1,0 | 1,8 | VLF300-1-972-4-60 | 28,0 | 2 | 19 | 165 | 901 401 |
| 25 | 1,5 | 1,2 | 1,3 | VLF420-2-983-4-60 | 57,0 | 8 | 18 | 240 | 902 424 |
| 30 | 1,5 | 1,6 | 1,0 | VLF530-2-985-4-60 | 110,0 | 9 | 18 | 267 | 901 581 |

Trommelflex Pur - H 4 x 10 mm², Ø 18,8 mm, 0,61 kg/m

| l(m) | h(m) | ~f(m) | LZ~ | Reel type | weight (kg) | nv(U) | n(U) | Z(N) | Order No. |
|------|------|-------|-----|-------------------|-------------|-------|------|------|-----------|
| 10 | 1,5 | 0,9 | 2,0 | VLF220-1-951-4-60 | 19,0 | 3 | 15 | 100 | 902 120 |
| 20 | 1,5 | 1,0 | 2,2 | VLF300-2-972-4-60 | 28,0 | 2 | 19 | 330 | 902 313 |
| 23 | 1,5 | 1,7 | 1,6 | VLF420-2-953-4-60 | 55,0 | 10 | 17 | 260 | 902 421 |
| 30 | 1,5 | 1,4 | 1,3 | VLF530-2-986-4-60 | 131,0 | 4 | 18 | 490 | 903 782 |

Trommelflex Pur - H 4 x 16 mm², Ø 22,1 mm, 0,924 kg/m

| l(m) | h(m) | ~f(m) | LZ~ | Reel type | weight (kg) | nv(U) | n(U) | Z(N) | Order No. |
|------|------|-------|-----|--------------------|-------------|-------|------|------|-----------|
| 12 | 1,5 | 1,0 | 2,0 | VLF300-2-952-4-125 | 32,0 | 13 | 12 | 200 | 901 122 |
| 16 | 1,5 | 1,0 | 2,0 | VLF300-2-972-4-125 | 36,0 | 4 | 16 | 330 | 901 267 |
| 20 | 1,5 | 1,0 | 1,1 | VLF530-2-986-4-150 | 131,0 | 10 | 12 | 490 | 903 785 |

Trommelflex Pur - H 4 x 25 mm², Ø 25,5 mm 1,222 kg/m

| l(m) | h(m) | ~f(m) | LZ~ | Reel type | weight (kg) | nv(U) | n(U) | Z(N) | Order No. |
|------|------|-------|-----|--------------------|-------------|-------|------|------|-----------|
| 10 | 1,5 | 0,8 | 2,0 | VLF420-2-983-4-150 | 62,0 | 19 | 8 | 240 | 902 430 |
| 18 | 1,5 | 1,0 | 1,1 | VLF530-2-986-4-150 | 132,0 | 19 | 10 | 490 | 903 785 |

The spring reelers highlighted in blue are pre-assembled and available in two weeks ex works.

Reel selection table

for the application sample 8, random wrap, horizontal/vertical cable payout or steeply sloping

Trommelflex Pur - H 4 x 1,5 mm², Ø 11,2 mm, 0,155 kg/m

| l(m) | LZ~ | Reel type | weight (kg) | nv(U) | n(U) | Z(N) | Order No. |
|------|-----|-------------------|-------------|-------|------|------|-----------|
| 7 | 2,0 | VLF155-1-908-4-26 | 3,1 | 2 | 13 | 40 | 902 010 |
| 9 | 2,0 | VLF155-2-908H4-26 | 3,7 | 4 | 16 | 40 | 902 012 |
| 12 | 2,0 | VLF180-1-931-4-26 | 9,0 | 2 | 19 | 60 | 902 020 |
| 18 | 2,0 | VLF180-2-931H4-26 | 11,0 | 4 | 30 | 60 | 902 022 |
| 26 | 4,0 | VLF220-2-951H4-26 | 19,0 | 6 | 31 | 100 | 902 102 |
| 35 | 4,0 | VLF300-2-952H4-26 | 28,0 | 4 | 36 | 100 | 902 291 |
| 50 | 2,0 | VLF301-3-972H4-26 | 58,0 | 9 | 51 | 165 | 901 587 |
| 64 | 1,0 | VLF530-2-986H4-36 | 115,0 | 4 | 38 | 250 | 901 566 |

Trommelflex Pur - H 5 x 1,5 mm², Ø 11,8 mm, 0,178 kg/m

| l(m) | LZ~ | Reel type | weight (kg) | nv(U) | n(U) | Z(N) | Order No. |
|------|-----|-------------------|-------------|-------|------|------|-----------|
| 7 | 3,0 | VLF155-1-908-5-26 | 3,1 | 2 | 13 | 40 | 902 016 |
| 8 | 3,0 | VLF155-2-908H5-26 | 3,7 | 6 | 16 | 40 | 902 015 |
| 12 | 2,0 | VLF180-1-931-5-26 | 9,5 | 3 | 18 | 60 | 902 040 |
| 18 | 3,0 | VLF180-2-931H5-26 | 11,3 | 4 | 30 | 60 | 902 042 |
| 25 | 4,0 | VLF220-2-951H5-26 | 19,0 | 4 | 33 | 100 | 902 132 |
| 31 | 3,0 | VLF300-2-952H5-26 | 28,0 | 4 | 33 | 100 | 902 322 |
| 33 | 2,0 | VLF300-2-972H5-26 | 32,0 | 6 | 34 | 165 | 902 325 |
| 50 | 3,0 | VLF301-3-972H5-26 | 38,0 | 9 | 51 | 165 | 901 525 |
| 64 | 2,0 | VLF530-2-986H5-36 | 115,0 | 6 | 38 | 260 | 903 818 |

Trommelflex Pur - H 7 x 1,5 mm², Ø 13,5 mm, 0,218 kg/m

| l(m) | LZ~ | Reel type | weight (kg) | nv(U) | n(U) | Z(N) | Order No. |
|------|-----|-------------------|-------------|-------|------|------|-----------|
| 7 | 2,0 | VLF155-1-908-7-26 | 3,1 | 2 | 13 | 40 | 902 008 |
| 10 | 2,0 | VLF180-1-931-7-26 | 10,0 | 3 | 15 | 60 | 902 043 |
| 12 | 2,0 | VLF220-1-951-7-26 | 18,0 | 3 | 16 | 100 | 902 160 |
| 20 | 4,0 | VLF220-2-951H7-26 | 20,0 | 4 | 25 | 100 | 902 116 |
| 24 | 5,0 | VLF221-2-951H7-26 | 22,8 | 4 | 33 | 100 | 902 282 |
| 34 | 3,0 | VLF300-2-972H7-26 | 34,0 | 4 | 34 | 165 | 902 295 |
| 41 | 3,0 | VLF301-3-972H7-26 | 40,0 | 9 | 51 | 165 | 901 556 |
| 49 | 3,0 | VLF420-2-984H7-36 | 59,0 | 4 | 36 | 240 | 902 486 |
| 63 | 2,0 | VLF530-2-986H7-36 | 115,0 | 4 | 38 | 260 | 903 796 |

The spring reels highlighted in blue are pre-assembled and available in two weeks ex works.

Trommelflex Pur - H 12 x 1,5 mm², Ø 17,0 mm, 0,363 kg/m

| l(m) | LZ~ | Reel type | weight (kg) | nv(U) | n(U) | Z(N) | Order No. |
|------|-----|---------------------|-------------|-------|------|------|-----------|
| 7 | 2,0 | VLF180-1-931-12-26 | 10,0 | 10 | 12 | 60 | 902 058 |
| 12 | 3,0 | VLF220-1-951-12-26 | 19,0 | 2 | 17 | 100 | 902 183 |
| 15 | 3,0 | VLF220-2-951H12-26 | 22,5 | 14 | 22 | 100 | 901 364 |
| 22 | 3,0 | VLF300-2-952-12-26 | 30,0 | 3 | 22 | 100 | 902 371 |
| 26 | 3,0 | VLF300-2-972H12-26 | 36,0 | 6 | 26 | 165 | 901 588 |
| 32 | 2,0 | VLF420-2-983-12-36 | 58,0 | 3 | 24 | 240 | 902 503 |
| 40 | 3,0 | VLF420-2-953-12-36 | 60,0 | 3 | 29 | 260 | 902 501 |
| 50 | 1,8 | VLKG530-5-925-12-36 | 128,0 | 4 | 29 | 400 | 901 557 |

Trommelflex Pur - H 18 x 1,5 mm², Ø 18,1 mm, 0,459 kg/m

| l(m) | LZ~ | Reel type | weight (kg) | nv(U) | n(U) | Z(N) | Order No. |
|------|-----|---------------------|-------------|-------|------|------|-----------|
| 7 | 2,0 | VLF220-1-951-18-26 | 20,5 | 7 | 10 | 100 | 902 115 |
| 12 | 2,7 | VLF221-2-951H18-26 | 25,0 | 18 | 17 | 200 | 902 281 |
| 23 | 3,0 | VLF300-2-952-18-26 | 31,0 | 3 | 22 | 200 | 902 377 |
| 28 | 2,0 | VLF420-2-983-18-36 | 58,0 | 3 | 24 | 240 | 902 510 |
| 31 | 3,0 | VLF420-2-953-18-36 | 61,0 | 3 | 29 | 255 | 901 151 |
| 34 | 2,0 | VLF530-2-985-18-36 | 126,0 | 3 | 23 | 280 | 903 801 |
| 48 | 2,0 | VLKG530-5-925-18-36 | 150,0 | 6 | 27 | 500 | 901 558 |

Trommelflex Pur - H 24 x 1,5 mm², Ø 20,9 mm, 0,590 kg/m

| l(m) | LZ~ | Reel type | weight (kg) | nv(U) | n(U) | Z(N) | Order No. |
|------|-----|---------------------|-------------|-------|------|------|-----------|
| 9 | 2,0 | VLF300-1-952-24-36 | 28,0 | 8 | 10 | 100 | 902 378 |
| 19 | 3,0 | VLF300-2-952-24-36 | 31,0 | 7 | 18 | 200 | 902 380 |
| 22 | 2,0 | VLF420-2-953-24-36 | 61,0 | 12 | 19 | 260 | 902 520 |
| 25 | 2,0 | VLF420-2-984-24-36 | 67,0 | 3 | 18 | 465 | 901 409 |
| 32 | 2,0 | VLF530-2-986-24-36 | 118,0 | 3 | 19 | 490 | 903 803 |
| 36 | 1,7 | VLK530-4-925-24-36 | 128,0 | 5 | 20 | 480 | 901 559 |
| 45 | 2,1 | VLKG530-6-925-24-36 | 155,0 | 8 | 25 | 600 | 901 560 |

The spring reelers highlighted in blue are pre-assembled and available in two weeks ex works.

Reel selection table

for the application sample 8, random wrap, horizontal/vertical cable payout or steeply sloping

Trommelflex Pur - H 30 x 1,5 mm², Ø 24,0 mm, 0,720 kg/m

| l(m) | LZ~ | Reel type | weight (kg) | nv(U) | n(U) | Z(N) | Order No. |
|------|-----|---------------------|-------------|-------|------|------|-----------|
| 8 | 2,0 | VLF300-1-952-30-36 | 28,0 | 10 | 10 | 100 | 902 390 |
| 16 | 2,0 | VLF300-2-952-30-36 | 31,0 | 12 | 13 | 210 | 900 316 |
| 18 | 3,0 | VLF300-2-972-30-36 | 33,0 | 3 | 17 | 330 | 901 561 |
| 20 | 2,0 | VLF420-2-953-30-36 | 65,0 | 9 | 16 | 260 | 901 437 |
| 22 | 2,0 | VLF420-2-984-30-36 | 66,0 | 3 | 17 | 470 | 902 472 |
| 25 | 3,0 | VLF421-2-984-30-36 | 69,0 | 3 | 18 | 470 | 901 562 |
| 32 | 1,5 | VLF530-2-986-30-36 | 118,0 | 3 | 19 | 500 | 903 805 |
| 30 | 1,8 | VLK530-4-925-30-36 | 128,0 | 10 | 17 | 480 | 901 563 |
| 38 | 1,9 | VLKG530-6-925-30-36 | 155,0 | 6 | 21 | 600 | 901 564 |

Trommelflex Pur - H 4 x 2,5 mm², Ø 12,3 mm, 0,208 kg/m

| l(m) | LZ~ | Reel type | weight (kg) | nv(U) | n(U) | Z(N) | Order No. |
|------|-----|-------------------|-------------|-------|------|------|-----------|
| 7 | 2,0 | VLF155-1-908-4-26 | 3,1 | 2 | 13 | 40 | 902 010 |
| 10 | 2,0 | VLF180-1-931-4-26 | 10,5 | 3 | 18 | 60 | 902 020 |
| 16 | 2,0 | VLF180-2-931H4-26 | 11,0 | 10 | 28 | 60 | 902 022 |
| 26 | 4,0 | VLF220-2-951H4-26 | 19,5 | 6 | 32 | 100 | 902 102 |
| 27 | 4,0 | VLF300-2-952H4-26 | 25,0 | 9 | 28 | 100 | 902 291 |
| 34 | 4,0 | VLF300-2-972H4-26 | 52,0 | 6 | 28 | 165 | 902 293 |
| 45 | 3,0 | VLF301-3-972H4-26 | 55,0 | 9 | 51 | 165 | 901 587 |
| 48 | 2,0 | VLF420-2-984H4-36 | 56,0 | 6 | 36 | 235 | 901 393 |
| 64 | 2,0 | VLF530-2-986H4-36 | 114,0 | 6 | 38 | 250 | 901 566 |

Trommelflex Pur - H 5 x 2,5 mm², Ø 13,0 mm, 0,230 kg/m

| l(m) | LZ~ | Reel type | weight (kg) | nv(U) | n(U) | Z(N) | Order No. |
|------|-----|-------------------|-------------|-------|------|------|-----------|
| 7 | 2,0 | VLF155-1-908-5-26 | 3,1 | 2 | 13 | 40 | 902 016 |
| 11 | 2,0 | VLF180-1-931-5-26 | 10,0 | 3 | 18 | 60 | 902 040 |
| 14 | 2,0 | VLF180-2-931H5-26 | 11,0 | 13 | 25 | 60 | 902 042 |
| 23 | 3,0 | VLF220-2-951H5-26 | 19,5 | 6 | 32 | 100 | 902 132 |
| 34 | 3,0 | VLF300-2-972H5-26 | 52,0 | 6 | 34 | 165 | 902 325 |
| 39 | 3,0 | VLF301-3-972H5-26 | 58,0 | 9 | 51 | 165 | 901 525 |
| 49 | 3,0 | VLF420-2-984H5-36 | 61,0 | 6 | 36 | 240 | 900 825 |
| 61 | 2,0 | VLF530-2-986H5-36 | 112,0 | 6 | 38 | 250 | 903 818 |

The spring reels highlighted in blue are pre-assembled and available in two weeks ex works.

Trommelflex Pur - H 7 x 2,5 mm², Ø 14,7 mm, 0,315 kg/m

| l(m) | LZ~ | Reel type | weight (kg) | nv(U) | n(U) | Z(N) | Order No. |
|------|-----|--------------------|-------------|-------|------|------|-----------|
| 5 | 2,0 | VLF155-1-908-7-26 | 4,0 | 4 | 10 | 40 | 902008 |
| 10 | 2,0 | VLF180-1-931-7-26 | 10,0 | 4 | 17 | 60 | 902 043 |
| 12 | 3,0 | VLF220-1-951-7-26 | 18,0 | 3 | 16 | 100 | 902 160 |
| 17 | 3,0 | VLF220-2-951H7-26 | 19,0 | 10 | 25 | 100 | 902 116 |
| 18 | 4,0 | VLF221-2-951H7-26 | 20,0 | 10 | 25 | 100 | 902 282 |
| 30 | 3,0 | VLF300-2-972H7-26 | 34,0 | 8 | 30 | 240 | 902 295 |
| 39 | 2,0 | VLF420-2-953-7-36 | 59,0 | 3 | 29 | 260 | 901 567 |
| 43 | 2,0 | VLF420-2-984H7-36 | 62,0 | 6 | 36 | 240 | 902 486 |
| 47 | 2,0 | VLF530-2-986H7-36 | 115,0 | 6 | 38 | 250 | 903 796 |
| 50 | 1,3 | VLKG530-5-925-7-36 | 130,5 | 4 | 29 | 400 | 901 568 |

Trommelflex Pur - H 12 x 2,5 mm², Ø 20,5 mm, 0,485 kg/m

| l(m) | LZ~ | Reel type | weight (kg) | nv(U) | n(U) | Z(N) | Order No. |
|------|-----|---------------------|-------------|-------|------|------|-----------|
| 10 | 3,0 | VLF220-1-951-12-26 | 19,5 | 4 | 15 | 100 | 902 183 |
| 12 | 3,0 | VLF221-2-951H12-26 | 23,5 | 15 | 17 | 100 | 902 283 |
| 23 | 3,0 | VLF300-2-952-12-26 | 30,0 | 3 | 22 | 210 | 902 371 |
| 28 | 2,0 | VLF420-2-983-12-36 | 58,0 | 7 | 20 | 240 | 902 503 |
| 30 | 3,0 | VLF420-2-953-12-36 | 69,0 | 10 | 22 | 260 | 902 501 |
| 33 | 2,0 | VLF530-2-985-12-36 | 110,0 | 7 | 19 | 280 | 903 810 |
| 40 | 1,8 | VLK530-4-925-12-36 | 128,0 | 4 | 23 | 480 | 901 569 |
| 50 | 2,1 | VLKG530-6-925-12-36 | 145,0 | 5 | 28 | 600 | 901 570 |

Trommelflex Pur - H 18 x 2,5 mm², Ø 20,6 mm, 0,679 kg/m

| l(m) | LZ~ | Reel type | weight (kg) | nv(U) | n(U) | Z(N) | Order No. |
|------|-----|---------------------|-------------|-------|------|------|-----------|
| 8 | 2,0 | VLF220-1-951-18-26 | 20,5 | 7 | 10 | 100 | 902 115 |
| 16 | 3,0 | VLF300-2-952-18-36 | 32,0 | 10 | 15 | 200 | 903 836 |
| 17 | 3,0 | VLF300-2-972-18-36 | 34,0 | 3 | 17 | 330 | 901 129 |
| 20 | 2,0 | VLF420-2-983-18-36 | 60,0 | 13 | 14 | 240 | 902 510 |
| 21 | 2,0 | VLF420-2-953-18-36 | 62,0 | 14 | 16 | 260 | 901 151 |
| 24 | 2,0 | VLF420-2-984-18-36 | 63,0 | 3 | 18 | 470 | 902 522 |
| 32 | 2,0 | VLF530-2-986-18-36 | 110,0 | 3 | 19 | 500 | 903 802 |
| 35 | 1,5 | VLKG530-5-925-18-36 | 143,0 | 7 | 20 | 600 | 901 558 |
| 43 | 1,9 | VLKG530-6-925-18-36 | 145,0 | 3 | 24 | 725 | 901 571 |

The spring reelers highlighted in blue are pre-assembled and available in two weeks ex works.

Reel selection table

for the application sample 8, random wrap, horizontal/vertical cable payout or steeply sloping

Trommelflex Pur - H 24 x 2,5 mm², Ø 23,6 mm, 0,860 kg/m

| l(m) | LZ~ | Reel type | weight (kg) | nv(U) | n(U) | Z(N) | Order No. |
|------|-----|---------------------|-------------|-------|------|------|-----------|
| 11 | 2,0 | VLF300-1-972-24-36 | 35,0 | 5 | 10 | 165 | 901 438 |
| 22 | 3,0 | VLF300-2-972-24-36 | 38,0 | 2 | 18 | 330 | 902 294 |
| 25 | 3,0 | VLF421-2-984-24-36 | 64,0 | 3 | 18 | 470 | 901 572 |
| 33 | 2,0 | VLF530-2-986-24-36 | 110,0 | 3 | 19 | 490 | 903 803 |
| 28 | 1,6 | VLKG530-5-925-24-36 | 143,0 | 11 | 16 | 600 | 901 538 |
| 38 | 2,0 | VLKG530-6-925-24-36 | 145,0 | 6 | 21 | 725 | 901 560 |

Trommelflex Pur - H 30 x 2,5 mm², Ø 28,2 mm, 1,080 kg/m

| l(m) | LZ~ | Reel type | weight (kg) | nv(U) | n(U) | Z(N) | Order No. |
|------|-----|---------------------|-------------|-------|------|------|-----------|
| 7 | 1,0 | VLF420-1-983-30-36 | 57,0 | 19 | 6 | 120 | 902 525 |
| 14 | 2,0 | VLF420-2-983-30-36 | 60,0 | 17 | 10 | 240 | 901 115 |
| 15 | 2,0 | VLF420-2-953-30-36 | 62,0 | 20 | 11 | 260 | 901 437 |
| 20 | 2,0 | VLF420-2-984-30-36 | 65,0 | 7 | 14 | 470 | 902 472 |
| 26 | 3,0 | VLF421-2-984-30-36 | 67,0 | 3 | 18 | 470 | 901 562 |
| 30 | 2,0 | VLF530-2-986-30-36 | 110,0 | 5 | 17 | 500 | 903 805 |
| 32 | 2,0 | VLKG530-6-925-30-36 | 145,0 | 9 | 18 | 725 | 901 564 |

Trommelflex Pur - H 4 x 4 mm², Ø 13,6 mm, 0,281 kg/m

| l(m) | LZ~ | Reel type | weight (kg) | nv(U) | n(U) | Z(N) | Order No. |
|------|-----|-------------------|-------------|-------|------|------|-----------|
| 5 | 2,0 | VLF155-1-908-4-40 | 3,5 | 3 | 11 | 40 | 901 573 |
| 10 | 3,0 | VLF180-1-931-4-40 | 10,5 | 4 | 17 | 60 | 901 102 |
| 12 | 3,0 | VLF220-1-951-4-40 | 18,0 | 3 | 16 | 100 | 902 110 |
| 17 | 2,0 | VLF220-2-951H4-40 | 20,0 | 12 | 22 | 100 | 902 114 |
| 20 | 3,0 | VLF221-2-951H4-40 | 21,0 | 10 | 26 | 100 | 902 214 |
| 22 | 1,9 | VLF300-2-952H4-40 | 31,0 | 2 | 23 | 100 | 902 302 |
| 34 | 3,0 | VLF300-2-972H4-40 | 37,0 | 6 | 34 | 180 | 901 315 |
| 39 | 2,0 | VLF420-2-953-4-42 | 60,0 | 3 | 29 | 260 | 901 574 |
| 48 | 3,0 | VLF420-2-984H4-42 | 64,0 | 6 | 36 | 470 | 901 575 |
| 52 | 2,0 | VLF530-2-986H4-42 | 104,0 | 6 | 38 | 250 | 901 576 |

The spring reelers highlighted in blue are pre-assembled and available in two weeks ex works.

Trommelflex Pur - H 5 x 4 mm², Ø 14,5 mm, 0,318 kg/m

| l(m) | LZ~ | Reel type | weight (kg) | nv(U) | n(U) | Z(N) | Order No. |
|------|-----|-------------------|-------------|-------|------|------|-----------|
| 5 | 2,0 | VLF155-1-908-5-40 | 4,0 | 3 | 11 | 40 | 902 019 |
| 8 | 2,0 | VLF180-1-931-5-40 | 11,0 | 7 | 14 | 60 | 901 287 |
| 12 | 3,0 | VLF220-1-951-5-40 | 18,0 | 3 | 16 | 100 | 902 140 |
| 17 | 3,0 | VLF220-2-951H5-40 | 20,0 | 12 | 22 | 100 | 902 143 |
| 21 | 2,0 | VLF300-2-952-5-40 | 28,0 | 3 | 22 | 200 | 902 330 |
| 29 | 3,0 | VLF300-2-972H5-40 | 31,0 | 8 | 29 | 165 | 901 363 |
| 32 | 2,0 | VLF420-2-983-5-42 | 58,0 | 3 | 24 | 240 | 902 452 |
| 39 | 2,0 | VLF420-2-953-5-42 | 60,0 | 3 | 29 | 260 | 901 577 |
| 42 | 3,0 | VLF420-2-984H5-42 | 63,0 | 6 | 36 | 240 | 901 578 |
| 45 | 2,0 | VLF530-2-986H5-42 | 110,0 | 6 | 38 | 250 | 901 579 |

Trommelflex Pur - H 4 x 6 mm², Ø 14,9 mm, 0,372 kg/m

| l(m) | LZ~ | Reel type | weight (kg) | nv(U) | n(U) | Z(N) | Order No. |
|------|-----|-------------------|-------------|-------|------|------|-----------|
| 12 | 3,0 | VLF220-1-951-4-60 | 19,0 | 3 | 16 | 100 | 902 120 |
| 15 | 3,0 | VLF220-2-951H4-60 | 20,0 | 14 | 18 | 100 | 902 107 |
| 25 | 3,0 | VLF300-2-972H4-60 | 59,0 | 13 | 25 | 165 | 901 309 |
| 32 | 2,0 | VLF420-2-983-4-60 | 56,0 | 3 | 24 | 240 | 902 424 |
| 39 | 2,0 | VLF420-2-953-4-60 | 59,0 | 3 | 29 | 260 | 902 421 |
| 42 | 1,6 | VLK530-4-925-4-60 | 130,5 | 3 | 24 | 400 | 901 565 |

Trommelflex Pur - H 5 x 6 mm², Ø 16,1 mm, 0,435 kg/m

| l(m) | LZ~ | Reel type | weight (kg) | nv(U) | n(U) | Z(N) | Order No. |
|------|-----|-------------------|-------------|-------|------|------|-----------|
| 9 | 2,0 | VLF220-1-951-5-60 | 18,0 | 7 | 12 | 100 | 902 150 |
| 12 | 3,0 | VLF220-2-951-5-60 | 20,0 | 3 | 16 | 200 | 902 142 |
| 13 | 3,0 | VLF220-2-951H5-60 | 22,0 | 16 | 18 | 100 | 901 499 |
| 22 | 3,0 | VLF300-2-952-5-60 | 31,0 | 3 | 22 | 200 | 902 341 |
| 31 | 2,0 | VLF420-2-983-5-60 | 57,0 | 3 | 24 | 240 | 902 464 |
| 34 | 2,0 | VLF420-2-953-5-60 | 59,0 | 6 | 26 | 260 | 902 461 |
| 37 | 2,0 | VLF530-2-985-5-60 | 112,0 | 3 | 23 | 280 | 903 808 |
| 42 | 1,4 | VLK530-4-925-5-60 | 130,5 | 3 | 24 | 480 | 901 580 |

The spring reels highlighted in blue are pre-assembled and available in two weeks ex works.

Reel selection table

for the application sample 8, random wrap, horizontal/vertical cable payout or steeply sloping

Trommelflex Pur - H 4 x 10 mm², Ø 18,9 mm, 0,615 kg/m

| l(m) | LZ~ | Reel type | weight (kg) | nv(U) | n(U) | Z(N) | Order No. |
|------|-----|--------------------|-------------|-------|------|------|-----------|
| 7 | 2,0 | VLF220-1-951-4-60 | 19,0 | 9 | 10 | 100 | 901 120 |
| 13 | 3,0 | VLF220-2-951-4-60 | 21,0 | 2 | 16 | 200 | 902 123 |
| 15 | 2,0 | VLF300-2-972H4-60 | 30,0 | 18 | 17 | 165 | 901 309 |
| 18 | 2,0 | VLF300-2-952-4-60 | 31,0 | 5 | 20 | 200 | 902 311 |
| 22 | 2,0 | VLF420-2-983-4-60 | 56,0 | 11 | 16 | 240 | 902 424 |
| 24 | 2,0 | VLF420-2-953-4-60 | 59,0 | 16 | 16 | 260 | 902 421 |
| 26 | 2,0 | VLF530-2-985-4-60 | 108,0 | 11 | 15 | 280 | 901 581 |
| 32 | 2,0 | VLF530-2-986-4-60 | 110,0 | 3 | 19 | 500 | 903 782 |
| 42 | 1,7 | VLKG530-5-925-4-60 | 135,0 | 3 | 24 | 600 | 901 582 |
| 44 | 2,1 | VLKG530-6-925-4-60 | 148,0 | 8 | 25 | 600 | 901 583 |

Trommelflex Pur - H 4 x 16 mm², Ø 22,1 mm, 0,924 kg/m

| l(m) | LZ~ | Reel type | weight (kg) | nv(U) | n(U) | Z(N) | Order No. |
|------|-----|---------------------|-------------|-------|------|------|-----------|
| 6 | 1,0 | VLF300-1-952-4-125 | 29,0 | 17 | 7 | 100 | 901 443 |
| 12 | 2,0 | VLF300-2-952-4-125 | 32,0 | 13 | 12 | 200 | 901 122 |
| 18 | 2,0 | VLF300-2-972-4-125 | 36,0 | 3 | 17 | 330 | 901 267 |
| 25 | 2,0 | VLF420-2-984-4-150 | 64,0 | 3 | 18 | 470 | 901 317 |
| 31 | 2,0 | VLF530-2-986-4-150 | 115,0 | 4 | 18 | 500 | 903 785 |
| 35 | 2,1 | VLKG530-6-925-4-125 | 150,0 | 3 | 24 | 720 | 901 584 |

Trommelflex Pur - H 4 x 25 mm², Ø 25,5 mm, 1,222 kg/m

| l(m) | LZ~ | Reel type | weight (kg) | nv(U) | n(U) | Z(N) | Order No. |
|------|-----|---------------------|-------------|-------|------|------|-----------|
| 10 | 2,0 | VLF420-2-983-4-150 | 62,0 | 19 | 8 | 240 | 902 430 |
| 20 | 2,0 | VLF420-2-984-4-150 | 64,0 | 6 | 15 | 470 | 901 317 |
| 21 | 2,0 | VLF421-2-984-4-150 | 67,0 | 4 | 17 | 470 | 901 585 |
| 23 | 2,0 | VLF530-2-986-4-150 | 115,0 | 10 | 12 | 500 | 903 785 |
| 25 | 1,5 | VLKG530-6-925-4-150 | 150,0 | 13 | 14 | 720 | 901 586 |

Trommelflex Pur - H 4 x 35 mm², Ø 30,0 mm, 1,780 kg/m

| l(m) | LZ~ | Reel type | weight (kg) | nv(U) | n(U) | Z(N) | Order No. |
|------|-----|---------------------|-------------|-------|------|------|-----------|
| 8 | 1,0 | VLF420-2-953-4-150 | 66,0 | 24 | 7 | 260 | 902 427 |
| 15 | 2,0 | VLF420-2-984-4-150 | 68,0 | 10 | 11 | 470 | 901 317 |
| 17 | 2,0 | VLF530-2-986-4-150 | 115,0 | 12 | 10 | 500 | 903 785 |
| 19 | 1,3 | VLKG530-6-925-4-150 | 150,0 | 17 | 10 | 720 | 901 586 |

The spring reelers highlighted in blue are pre-assembled and available in two weeks ex works.

Cable reels (with fixing flange)

Random wrap - Dimensions

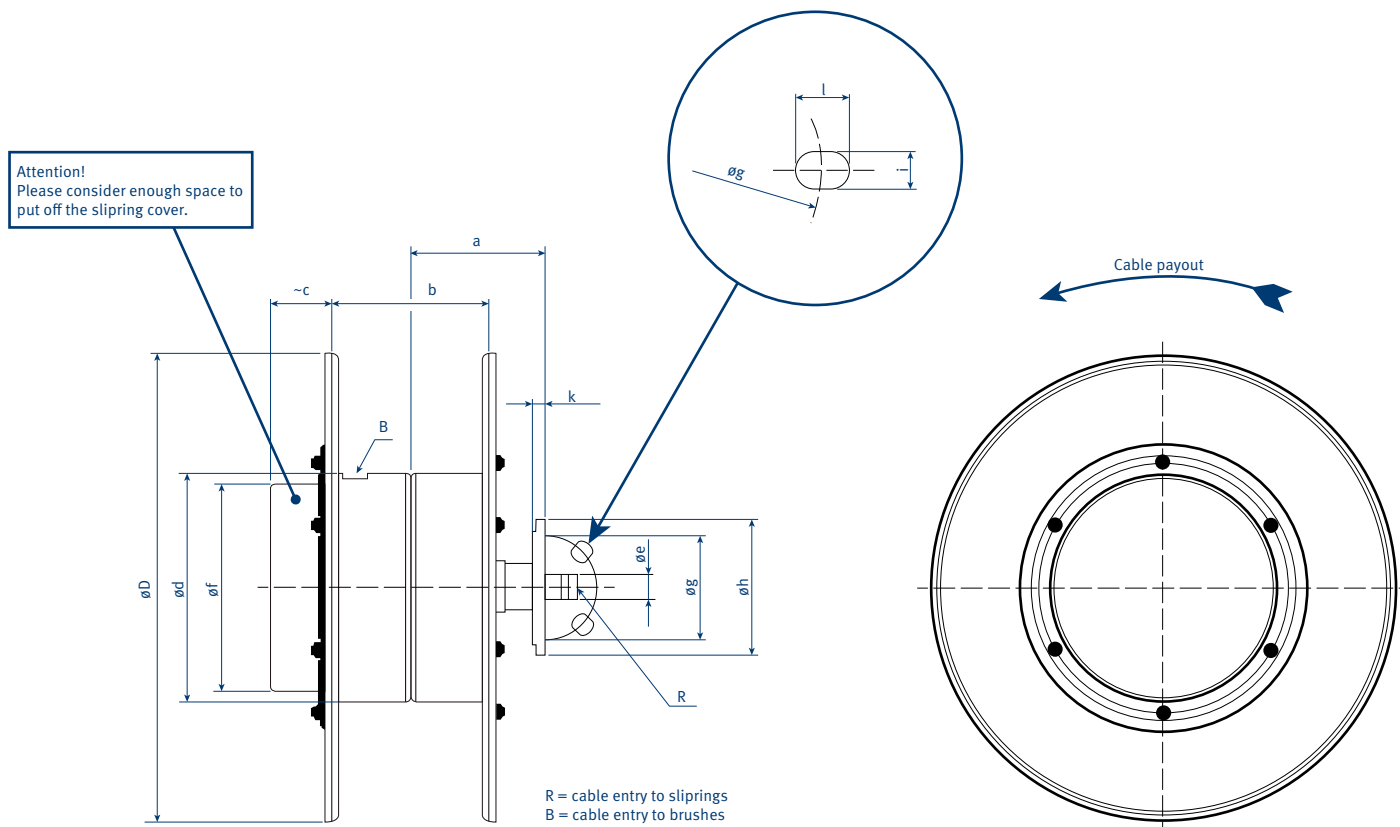


Table 6: Reel dimensions (mm)

| Type ⁽¹⁾ | $\varnothing d$ | $\varnothing D$ | b | a | $\sim c$ | $\varnothing f$ | e | $\varnothing g$ | $\varnothing h$ | i | l | k | weight ⁽²⁾ kg |
|---------------------|-----------------|-----------------|-----|-------|----------|-----------------|-----|-----------------|-----------------|----------------------|-----|-----|-----------------------------|
| VLF 155 | 155 | 260 | 110 | 101,5 | 80 | 155 | 25 | 65 | 85 | 4 x $\varnothing 9$ | - | 10 | 2,5 |
| VLF 180 | 180 | 290 | 130 | 113 | 110 | 170 | 25 | 65 | 85 | 4 x $\varnothing 9$ | - | 10 | 6,5 |
| VLF 220 | 220 | 400 | 120 | 114 | 80 | 220 | 25 | 100 | 130 | 4 x $\varnothing 13$ | 20 | 9 | 13,0 |
| VLF 221 | 220 | 450 | 150 | 130 | 80 | 220 | 25 | 100 | 130 | 4 x $\varnothing 13$ | 20 | 9 | 14,0 |
| VLF 222 | 220 | 450 | 170 | 139 | 50 | 220 | 25 | 100 | 130 | 4 x $\varnothing 13$ | 20 | 12 | 14,0 |
| VLF 300 | 300 | 550 | 190 | 165 | 125 | 300 | 35 | 100 | 135 | 4 x $\varnothing 13$ | 20 | 20 | 16,0 |
| VLF 301 | 300 | 550 | 285 | 213 | 80 | 300 | 35 | 100 | 135 | 4 x $\varnothing 13$ | 21 | 20 | 18,0 |
| VLF 420 | 420 | 680 | 240 | 200 | 165 | 420 | 45 | 130 | 178 | 4 x $\varnothing 17$ | 23 | 20 | 35,0 |
| VLF 421 | 420 | 770 | 240 | 200 | 165 | 420 | 45 | 170 | 215 | 4 x $\varnothing 17$ | 23 | 20 | 40,0 |
| VLF 530 | 530 | 900 | 310 | 255 | 85 | 420 | 60 | 200 | 250 | 4 x $\varnothing 18$ | 32 | 23 | 80,0 |

| | | | | | | | | | | |
|-------------------|-------|-------|-------|-------|--------|-------|-------|--------|--------|--------|
| Spring reference | 908 | 931 | 951 | 952 | 953 | 972 | 983 | 984 | 985 | 986 |
| weight approx. kg | 0,868 | 2,286 | 2,994 | 5,288 | 10,610 | 5,891 | 8,532 | 10,846 | 15,120 | 21,510 |

1) Full type details in selection chart

2) Base weight w/o springs (3 poles + PE)

Total weight = Base weight + weight of springs

Cable reels (with fixing flange)

Random wrap - Dimensions

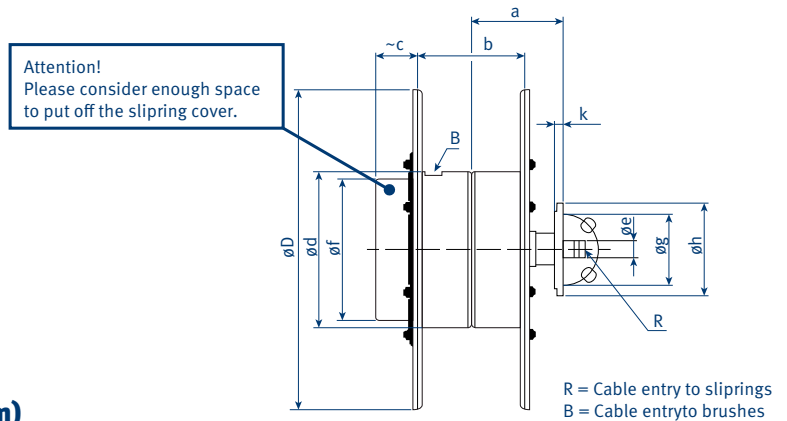


Table 7: Max. pole amounts · Cover dimensions (mm)

| Type ⁽¹⁾ | Amps ⁽²⁾ | Dim. "c" of enclosures (mm) for Std. Assys incl. Ground (staggered) | | | | | | | | Drilling drum shaft mm | Cable gland M | |
|---------------------|---------------------|---|-----|-----|-----|-----|-----|-----|-----|------------------------|--------------------------|-----------|
| | | 3 | 4 | 6 | 7 | 11 | 17 | 23 | 29 | | R | B |
| VLF 155 | 26 | 60 | 80 | 80 | 100 | | | | | 14 | M20 x 1,5 | M20 x 1,5 |
| VLF 180 | 26 | 50 | 50 | 90 | | | | | | 18 | M20 x 1,5 | M20 x 1,5 |
| VLF 180 | 40 | 50 | 50 | 90 | 90 | | | | | 18 | M20 x 1,5 | M20 x 1,5 |
| VLF 220 | 26 | 50 | 50 | 100 | 100 | 150 | | | | 18 | M20 x 1,5 | M32 x 1,5 |
| VLF 220 | 42 | 75 | 75 | 100 | 100 | 200 | | | | 18 | M20 x 1,5 | M32 x 1,5 |
| VLF 220 | 40 | 50 | 50 | 100 | 100 | 150 | | | | 18 | M20 x 1,5 | M32 x 1,5 |
| VLF 220 | 60 | 75 | 100 | | | | | | | 18 | M20 x 1,5 | M32 x 1,5 |
| VLF 221 | 26 | 50 | 50 | 75 | 75 | 130 | | | | 18 | M20 x 1,5 | M32 x 1,5 |
| VLF 221 | 42 | 50 | 50 | 75 | 100 | 130 | | | | 18 | M20 x 1,5 | M32 x 1,5 |
| VLF 221 | 40 | 50 | 50 | 75 | | | | | | 18 | M20 x 1,5 | M32 x 1,5 |
| VLF 221 | 60 | 50 | 75 | 100 | | | | | | 18 | M20 x 1,5 | M32 x 1,5 |
| VLF 222 | 26 | 50 | 50 | 100 | 100 | 150 | | | | 18 | M20 x 1,5 | M32 x 1,5 |
| VLF 222 | 42 | 75 | 75 | 100 | 100 | 200 | | | | 18 | M20 x 1,5 | M32 x 1,5 |
| VLF 222 | 40 | 50 | 50 | 100 | 100 | 150 | | | | 18 | M20 x 1,5 | M32 x 1,5 |
| VLF 222 | 60 | 75 | 100 | | | | | | | 18 | M20 x 1,5 | M32 x 1,5 |
| VLF 300 | 26 | 80 | 80 | 80 | 120 | 150 | | | | 24 | M32 x 1,5 ⁽³⁾ | M40 x 1,5 |
| VLF 300 | 42 | 80 | 80 | 120 | 120 | 200 | | 320 | | 24 | M32 x 1,5 ⁽³⁾ | M40 x 1,5 |
| VLF 300 | 40 | 80 | 80 | 80 | 120 | | | | | 24 | M32 x 1,5 ⁽³⁾ | M40 x 1,5 |
| VLF 300 | 60 | 80 | 80 | | | | | | | 24 | M32 x 1,5 ⁽³⁾ | M40 x 1,5 |
| VLF 301 | 26 | 20 | 20 | 90 | 90 | 130 | | | | 16 | M20 x 1,5 | M40 x 1,5 |
| VLF 301 | 42 | 20 | 90 | 90 | 90 | 90 | | 180 | | 16 | M20 x 1,5 | M40 x 1,5 |
| VLF 301 | 40 | 20 | 20 | 90 | 90 | 130 | | | | 16 | M20 x 1,5 | M40 x 1,5 |
| VLF 301 | 60 | 20 | 90 | 90 | 90 | | | | | 16 | M20 x 1,5 | M40 x 1,5 |
| VLF 420/421 | 42 | 85 | 85 | 135 | 135 | 165 | 265 | 335 | | 32 | M32 x 1,5 ⁽³⁾ | M50 x 1,5 |
| VLF 420/421 | 60 | 85 | 85 | | | | | | | 32 | M32 x 1,5 ⁽³⁾ | M50 x 1,5 |
| VLF 420/421 | 150 | 85 | 85 | | | | | | | 32 | M32 x 1,5 ⁽³⁾ | M50 x 1,5 |
| VLF 530 | 42 | 85 | 85 | 85 | 85 | 85 | 155 | 270 | 400 | 40 | M50 x 1,5 | M63 x 1,5 |
| VLF 530 | 60 | 85 | | | | | | | | 40 | M50 x 1,5 | M63 x 1,5 |
| VLF 530 | 150 | 85 | | | | | | | | 40 | M50 x 1,5 | M63 x 1,5 |

1) Full type details in selection chart
 2) Current rating with 100% duty cycle
 3) Springs with 3 drive spring -> R = M20 x 1,5

Cable reels (with console)

Random wrap - Dimensions

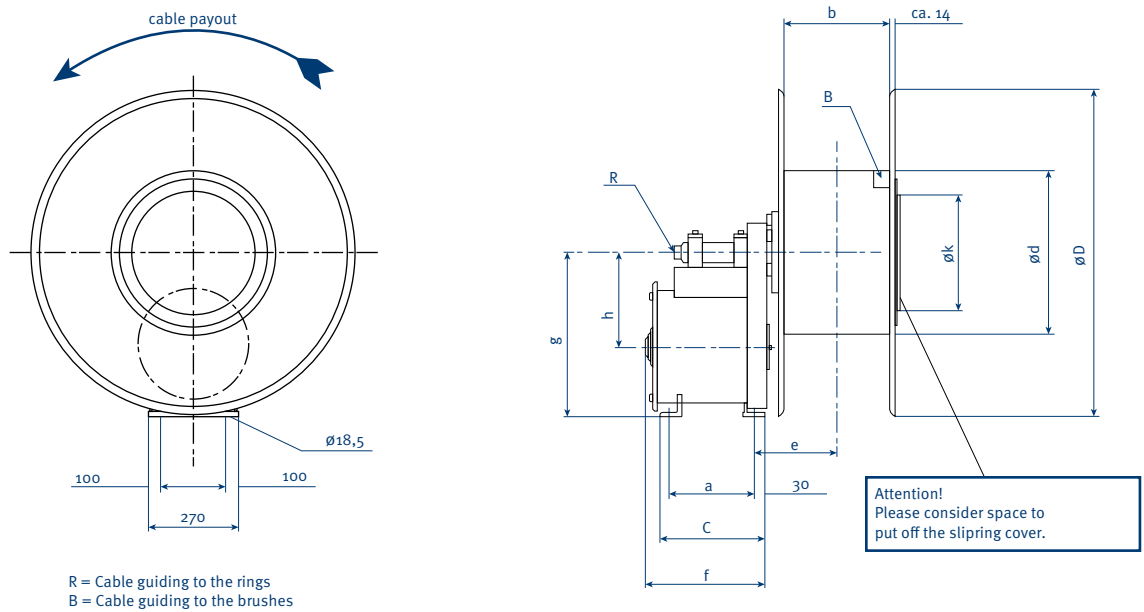


Tabelle 8: Reel dimensions (mm)

| Type ⁽¹⁾ | Drum Dimensions | | | a | c | e | f | g | h | k | weight ⁽²⁾ kg |
|---------------------|-----------------|------|-----|-----|-----|-----|-----|-----|-----|-----|--------------------------|
| | ∅ d | ∅ D | ∅ b | | | | | | | | |
| VLK 700 | 700 | 1200 | 350 | 260 | 320 | 255 | 358 | 500 | 290 | 370 | 130 |
| VLKG 700 | 700 | 1200 | 350 | 390 | 446 | 255 | 488 | 500 | 290 | 370 | 145 |

| | | |
|-------------------|-------|--------|
| Spring reference | 924 | 925 |
| weight approx. kg | 8,265 | 10,935 |

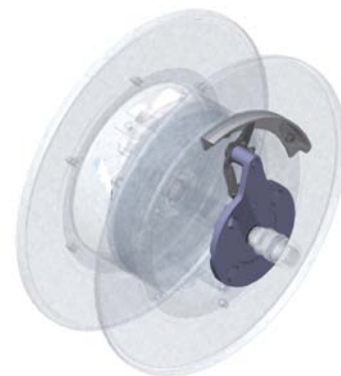
Table 9: Max. pole amounts · Cover dimensions (mm)

| Type ⁽¹⁾ | Amps ⁽³⁾ | Dim. of enclosures (mm) for Std. Assys incl. Ground (staggered) | | | | | Cable gland M | |
|---------------------|---------------------|---|----|----|-----|-----|---------------|---|
| | | 7 | 11 | 17 | 23 | 29 | R | B |
| VLK 700 | 42 | – | – | 50 | 105 | 200 | M50 x 1,5 | depending on reel body (measurement upon request) |
| VLKG 700 | 42 | – | – | 50 | 105 | 200 | M50 x 1,5 | |

1) Full type details in selection chart
 2) Base weight w/o springs (3 poles + PE)
 Total weight = Base weight + weight of springs
 3) Current rating with 100% duty cycle

Accessories

Ratchet device, rotating, wall mounting



Ratchet Device (one lock position per full reel turn)

| Type | for reel | Order-No. |
|---------|-------------|-----------|
| EKV 155 | VLf 155 | 901 720 |
| EKV 180 | VLf 180 | 901 721 |
| EKV 220 | VLf 220/221 | 901 722 |
| EKV 300 | VLf 300 | 901 723 |
| EKV 420 | VLf 420/421 | 901 724 |
| EKV 530 | VLf 530 | 901 726 |



Swivel Base - Rotation 150° - Wall Mounting⁽¹⁾

| Type | for reel | Order-No. |
|---------|-------------|-----------|
| SWB 155 | VLf 155 | 901 730 |
| SWB 180 | VLf 180 | 901 731 |
| SWB 220 | VLf 220/221 | 901 732 |
| SWB 300 | VLf 300 | 901 733 |
| SWB 420 | VLf 420/421 | 901 734 |
| SWB 530 | VLf 530 | 901 736 |

1) cable guide arm must be used

Accessories

Rotating ceiling mounting, free swinging eyelet type



Pivot Base · Rotation 300° · Ceiling Mounting

| Type | for reel | Order-No. |
|---------|-------------|-----------|
| SDB 155 | VLf 155 | 901 740 |
| SDB 180 | VLf 180 | 901 741 |
| SDB 220 | VLf 220/221 | 901 742 |
| SDB 300 | VLf 300 | 901 743 |
| SDB 420 | VLf 420/421 | 901 744 |
| SDB 530 | VLf 530 | 901 746 |

1) cable guide arm must be used



Cable guide arm for free swinging eyelet type

| Type | for reel | Order-No. |
|---------|----------|-----------|
| OFA 155 | VLf 155 | 901 750 |
| OFA 180 | VLf 180 | 901 751 |
| OFA 220 | VLf 220 | 901 752 |
| OFA 300 | VLf 300 | 901 753 |

Accessories

Cable guide arm for free swinging roller type

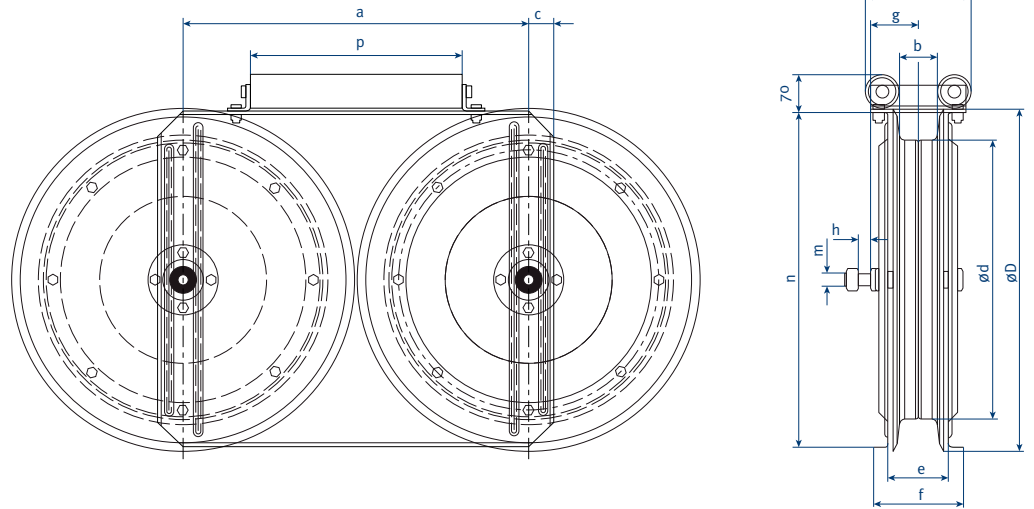


Cable guide arm for free swinging roller type

| Type | for reel | Order-No. |
|---------|----------|-----------|
| RFA 155 | VLf 155 | 901 754 |
| RFA 180 | VLf 180 | 901 755 |
| RFA 220 | VLf 220 | 901 756 |
| RFA 300 | VLf 300 | 901 757 |
| RFA 420 | VLf 420 | 901 758 |
| RFA 421 | VLf 421 | 901 759 |
| RFA 530 | VLf 530 | 901 810 |

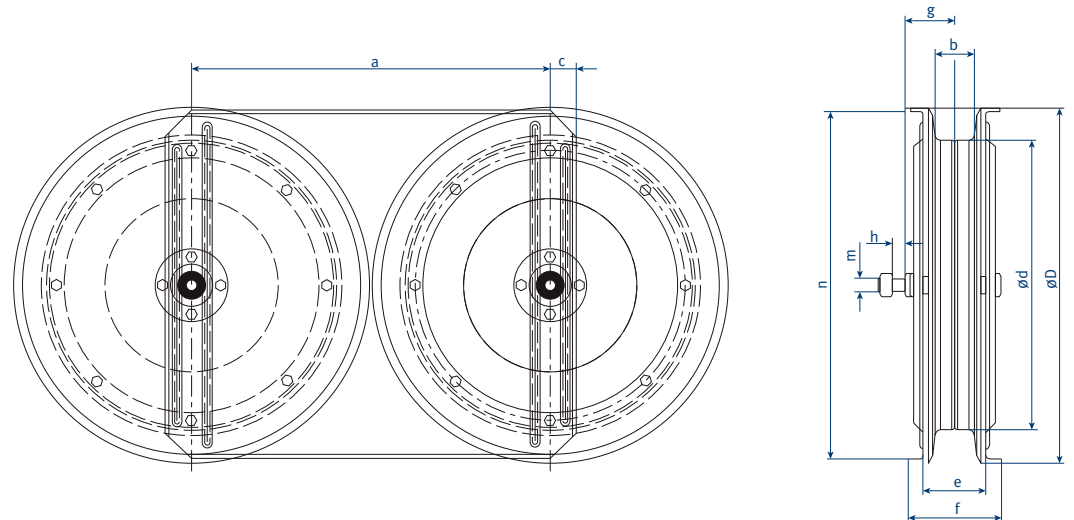
Accessories

Sheave guide



Sheave guide with additional top guide roller

| Type | mm ² | a | b | c | ø d | ø D | e | f | g | h | m | n | o | p | Order-No. |
|--------|-----------------|------|----|------|-----|------|-----|-----|-----|----|------|------|-----|-----|-----------|
| SU-R 1 | 4 x 6 | 455 | 70 | 32,5 | 350 | 450 | 114 | 170 | 85 | 50 | M 24 | 445 | 180 | 315 | 901 630 |
| SU-R 2 | 4 x 16 | 655 | 70 | 47,5 | 503 | 650 | 114 | 170 | 85 | 50 | M 24 | 640 | 180 | 400 | 901 631 |
| SU-R 3 | 4 x 35 | 785 | 70 | 80 | 663 | 780 | 114 | 170 | 85 | 50 | M 24 | 770 | 180 | 500 | 901 632 |
| SU-R 4 | 4 x 70 | 905 | 75 | 80 | 783 | 900 | 114 | 170 | 85 | 50 | M 24 | 890 | 180 | 600 | 901 633 |
| SU-R 5 | 4 x 95 | 1105 | 80 | 73 | 900 | 1100 | 134 | 192 | 103 | 62 | M 30 | 1090 | 210 | 800 | 901 634 |



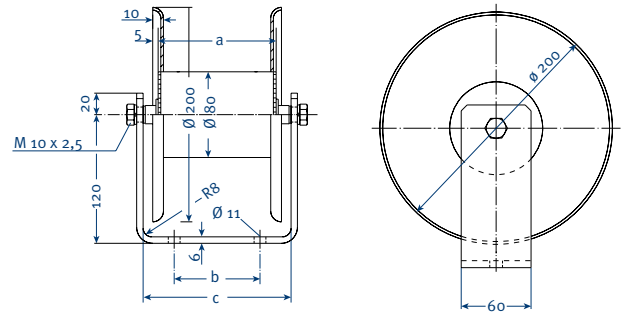
Sheave guide w/o top guide roller

| Type | mm ² | a | b | c | ø d | ø D | e | f | g | h | m | n | o | p | Order-No. |
|------|-----------------|------|----|------|-----|------|-----|-----|-----|----|------|------|-----|-----|-----------|
| SU 1 | 4 x 6 | 455 | 70 | 32,5 | 350 | 450 | 114 | 170 | 85 | 50 | M 24 | 445 | 180 | 315 | 901 635 |
| SU 2 | 4 x 16 | 655 | 70 | 47,5 | 503 | 650 | 114 | 170 | 85 | 50 | M 24 | 640 | 180 | 400 | 901 636 |
| SU 3 | 4 x 35 | 785 | 70 | 80 | 663 | 780 | 114 | 170 | 85 | 50 | M 24 | 770 | 180 | 500 | 901 637 |
| SU 4 | 4 x 70 | 905 | 75 | 80 | 783 | 900 | 114 | 170 | 85 | 50 | M 24 | 890 | 180 | 600 | 901 638 |
| SU 5 | 4 x 95 | 1105 | 80 | 73 | 900 | 1100 | 134 | 192 | 103 | 62 | M 30 | 1090 | 210 | 800 | 901 639 |

Accessories

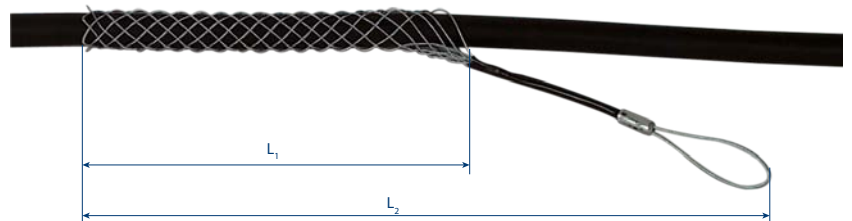
Cable support roller, cable wire grip

The support rollers will be supplied with screws and spring washers



Cable support roller

| Type | | weight kg | a | b | c | Order-No. |
|-------------------|--------------|-----------|-----|-----|-----|-----------|
| TR 80/110 B 200 | w/o bracket | 2,25 | 110 | – | 130 | 924 450 |
| TR 80/300 B 200 | | 3,25 | 300 | – | 320 | 924 460 |
| TR 80/500 B 200 | | 4,50 | 500 | – | 520 | 924 470 |
| TR 80/110 B 200 H | with bracket | 3,50 | 110 | 80 | 130 | 924 480 |
| TR 80/300 B 200 H | | 5,15 | 300 | 250 | 320 | 924 490 |
| TR 80/500 B 200 H | | 6,90 | 500 | 400 | 520 | 924 500 |



Cable wire grip

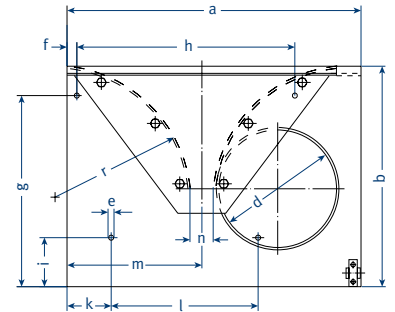
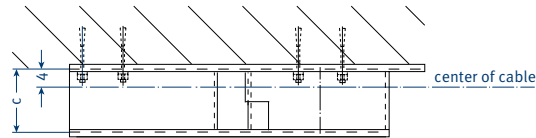
| Type | for cable diameter (mm) | max. allowed tension ⁽¹⁾ kg | meshwork length dimension L ₁ | meshwork length dimension L ₂ | Order-No. |
|---------|-------------------------|--|--|--|-----------|
| VLZK 6 | 4 – 7 | 60 | 100 | 275 | 900 391 |
| VLZK 9 | 7 – 9 | 110 | 120 | 290 | 900 392 |
| VLZK 12 | 9 – 12 | 130 | 135 | 340 | 900 393 |
| VLZK 15 | 12 – 15 | 210 | 180 | 390 | 900 394 |
| VLZK 20 | 15 – 20 | 260 | 220 | 450 | 900 395 |
| VLZK 25 | 20 – 25 | 260 | 275 | 510 | 900 396 |
| VLZK 30 | 25 – 30 | 400 | 350 | 610 | 900 397 |
| VLZK 40 | 30 – 40 | 580 | 370 | 660 | 900 398 |

1) calculated with three-fold safety

Accessories

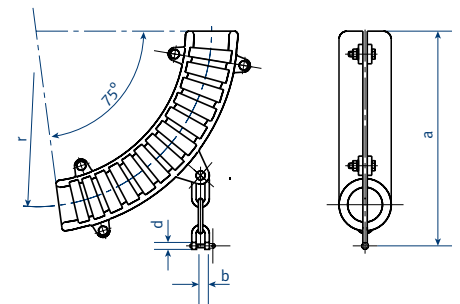
Feed-in funnel, turnover anchor clamps

For all travel speeds and frequent passing over center point.



Feed-in funnel incl. tension relief reel (for voltages upto 1000V)

| Type | Cable diam. max. mm | a | b | c | d/r | e | f | g | h | i | k | l | m | n | weight kg | Order-No. |
|-------|---------------------|-----|-----|-----|-----|----|----|-----|-----|-----|-----|-----|-----|-----|-----------|-----------|
| ETZ 3 | 34 | 650 | 530 | 106 | 275 | 14 | 40 | 405 | 400 | 200 | 120 | 300 | 270 | 60 | 15 | 921 380 |
| ETZ 4 | 50 | 900 | 700 | 146 | 400 | 18 | 40 | 550 | 740 | 200 | 210 | 400 | 410 | 80 | 28 | 921 390 |
| ETZ 5 | 62 | 220 | 900 | 208 | 500 | 18 | 40 | 780 | 900 | 200 | 180 | 600 | 480 | 100 | 52 | 921 400 |



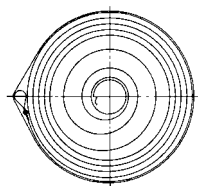
Turnover anchor clamps (for voltages upto 1000V)

| Type | weight kg | Cable diameter | r | a | d | b | Order-No. |
|------|-----------|----------------|-----|-----|----|----|-----------|
| LS 1 | 1,6 | 21,5 | 100 | 205 | 10 | 14 | 921 420 |
| LS 2 | 2,5 | > 21,5 – 28 | 130 | 225 | 10 | 14 | 921 430 |
| LS 3 | 3,5 | > 28 – 36,5 | 170 | 265 | 12 | 17 | 921 440 |
| LS 4 | 5,5 | > 36,5 – 48 | 220 | 300 | 12 | 17 | 921 450 |

Spare parts

The following spare parts are available for all reelers listed in this catalogue.

For determination refer to related table, type label and type code.



Reel type

| | | | | | | | | | |
|------|-----|---|---|---|------|---|---|---|---------|
| VLF | 220 | - | 2 | - | 951H | - | 4 | - | 26 |
| VLF | 530 | - | 2 | - | 985 | - | 4 | - | 150 |
| VLKG | 700 | - | 6 | - | 915 | - | 4 | - | 220 - A |

Reel Series _____

Drum diameter _____

No. of Springs _____

Spring Series _____

No. of Poles incl. Ground _____

Amps _____

Suffix for opposite rotation _____

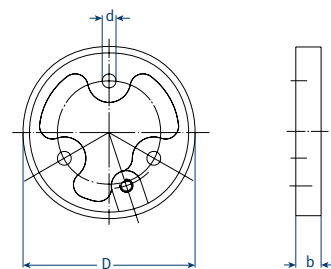
Springs

| Type ⁽¹⁾ | weight | drill hole mm | outer diam. mm | width mm | Order-No. |
|---------------------|--------|---------------|----------------|----------|-----------|
| 908 | 0,600 | 35 | 126 | 18 | 901 640 |
| 910 | 0,500 | 25 | 114 | 18 | 901 641 |
| 931 | 2,300 | 35 | 160 | 25 | 901 642 |
| 951 | 2,950 | 35 | 190 | 30 | 901 643 |
| 952 | 5,500 | 45 | 280 | 45 | 901 645 |
| 972 | 6,000 | 45 | 280 | 45 | 901 646 |
| 903 | 6,200 | 50 | 315 | 60 | 901 648 |
| 953 | 13,200 | 60 | 400 | 60 | 901 684 |
| 983 | 10,350 | 60 | 400 | 60 | 901 685 |
| 924 | 11,900 | 50 | 315 | 60 | 901 687 |
| 925 | 15,000 | 50 | 315 | 60 | 901 689 |
| 965 | 10,800 | 65 | 315 | 60 | 901 704 |
| 975 | 18,000 | 65 | 315 | 60 | 901 705 |
| 985 | 17,000 | 85 | 450 | 60 | 901 706 |
| 986 | 25,500 | 85 | 450 | 60 | 901 707 |

Note! Never remove springs from protection bandage and handle replaced springs carefully.

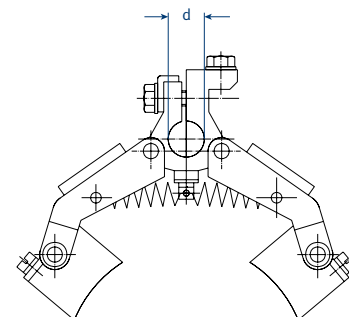
1) The spring types 908 to 986 substitute former types 508 to 586.

Spare parts



Sliprings

| Amps A | Dimensions | | | | Order-No. | |
|-------------------|------------|-------|--------|------|-----------|---------|
| | D mm | d | | b mm | Phase | Ground |
| | | Phase | Ground | | | |
| 26 ⁽¹⁾ | 50 | 8,5 | 5,5 | 10 | 901 670 | 901 671 |
| 36 ⁽²⁾ | 80 | 11,5 | 6,5 | 10 | 901 672 | 901 673 |
| 40 | 50 | 8,5 | 5,5 | 10 | 901 674 | 901 675 |
| 42 | 80 | 11,5 | 6,5 | 10 | 901 682 | 901 683 |
| 60 | 80 | 11,5 | 6,5 | 12 | 901 676 | 901 677 |
| 150 | 130 | 12,5 | 8,5 | 15 | 901 678 | 901 679 |
| 220 | 130 | 12,5 | 8,5 | 20 | 901 680 | 901 681 |



Brush Assemblies

| Amps A | Dimensions d (mm) | | Order-No. | |
|-------------------|-------------------|--------|-----------|---------|
| | Phase | Ground | Phase | Ground |
| 26 ⁽¹⁾ | 10 | 8 | 901 690 | 901 691 |
| 36 ⁽²⁾ | 10 | 8 | 901 692 | 901 693 |
| 40 | 10 | 8 | 901 694 | 901 695 |
| 42 | 10 | 8 | 901 702 | 901 703 |
| 60 | 13 | 12 | 901 696 | 901 697 |
| 150 | 16 | 15 | 901 698 | 901 699 |
| 220 | 17 | 16 | 901 700 | 901 701 |

1 Corresponds to former type 25 A or 30 A

2 Corresponds to former type 30 A (max. cross section 2,5 mm²)
For larger cross sections use 42 A brush assembly.

Questionnaire

Co.: _____

Date: _____

Fon.: _____

Fax: _____

E-Mail: _____

Internet: _____

1. For what type of moving equipment is the reel? _____
A rough sketch based on the typical applications shown on page 5 of this catalog is extremely valuable.

2. Reel installation height h= _____ m

3. Travel distance of equipment _____ m

4. Cable payout from center from one end

5. What is the max. cable length on the reel? l= _____ m
Midway feed-point cuts the length of cable needed in half.

6. Type of Cable (number of conductors x wire size) _____ x _____ mm²

weight _____ kg/m

outside dia. _____ mm

7. Electrical load _____ kW

Voltage _____ V

Amps _____ A

8. Reduction factor due to cranes working simultaneously? _____ %

9. No. of Collector Rings required? _____ pc.
(our slipping assemblies always include one ground)

10. Type of application? (see page 7) No.

11. How many movements per hour? _____ times

12. Operating hours per day? _____ h

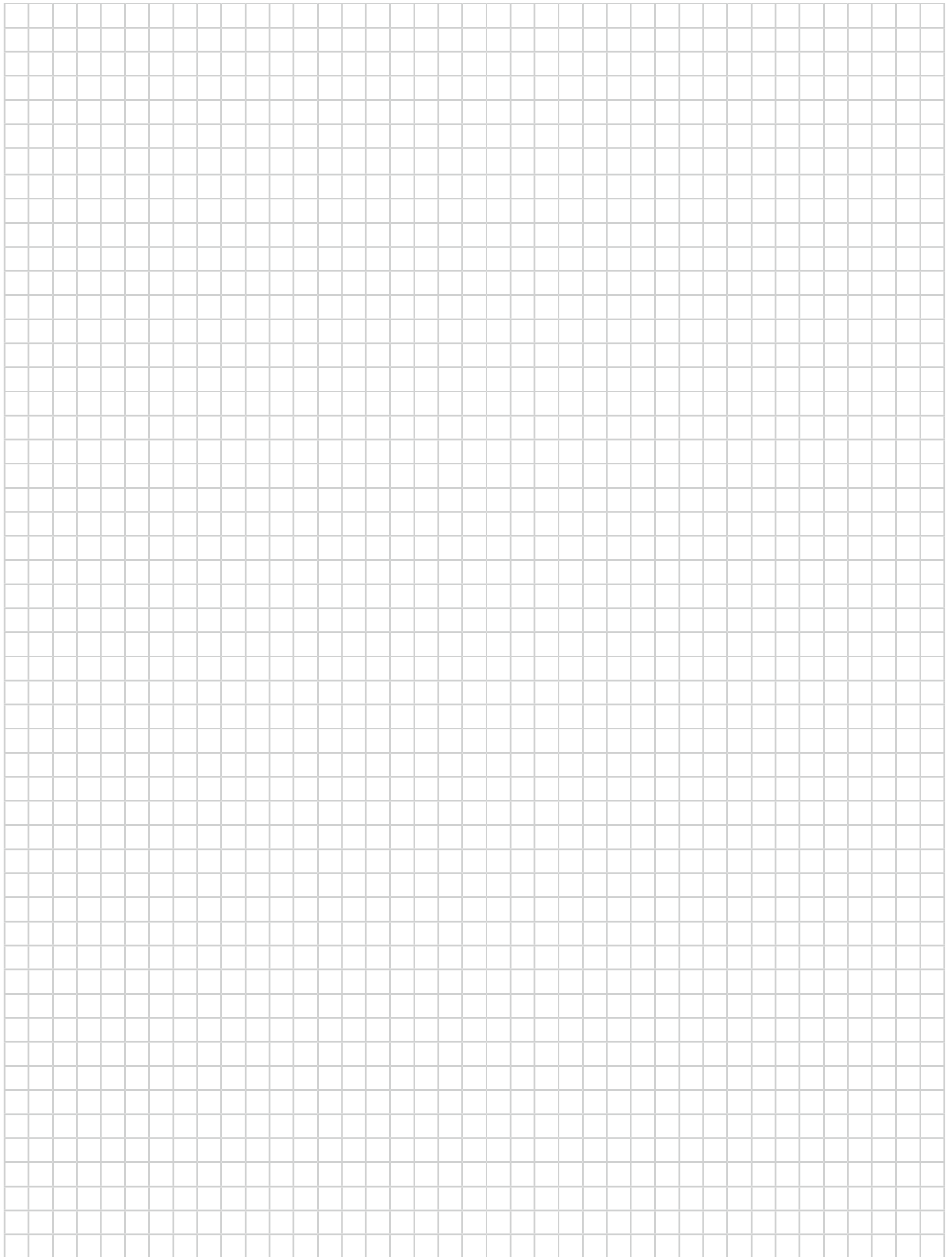
13. Maximum travel/lift speed? _____ m/min

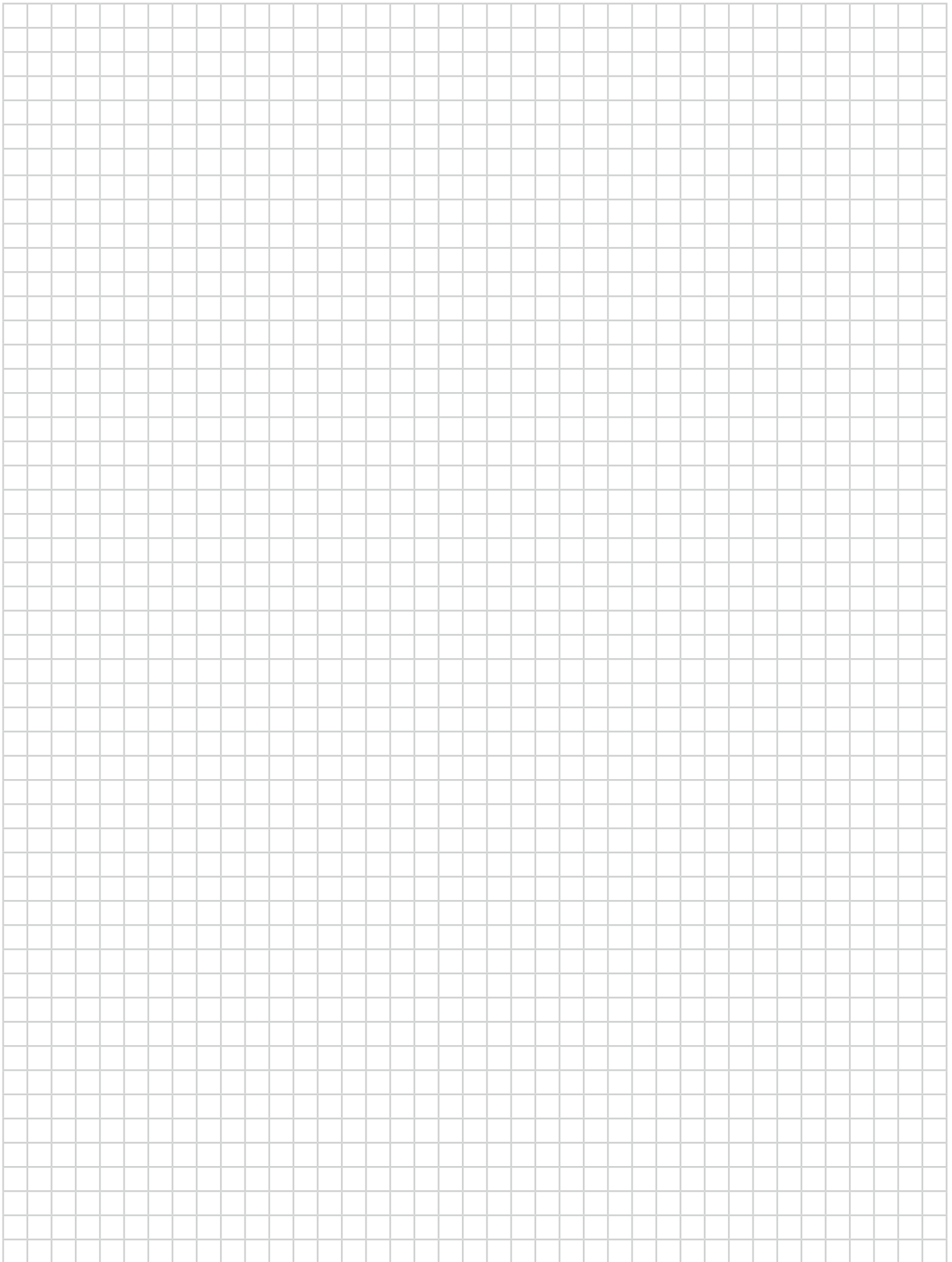
14. Acceleration 0 to full in _____ sec

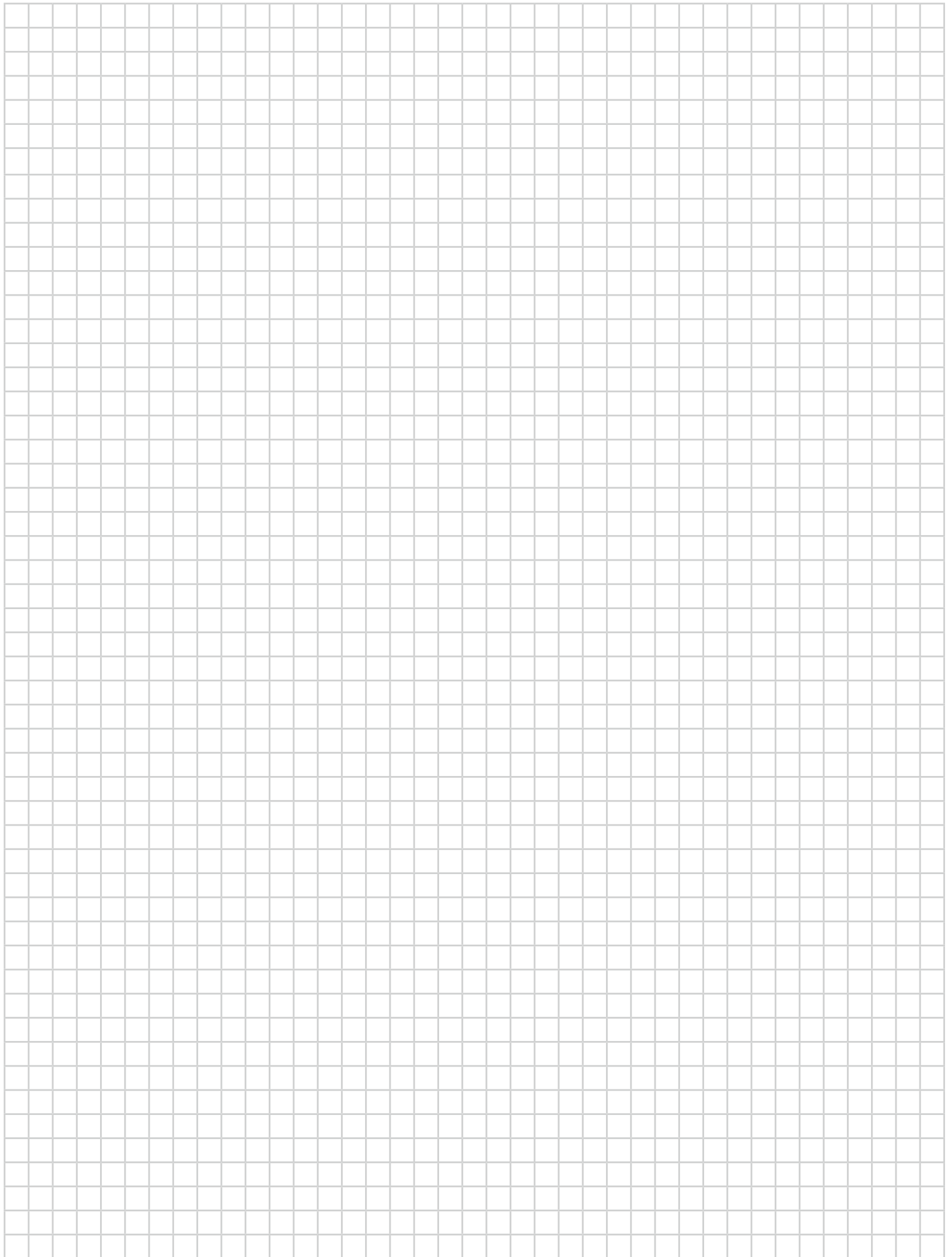
15. Acceleration rate _____ m/sec²

| Motor data | Crane 1 | | | Crane 2 | | | Crane 3 | | |
|-----------------------------|-------------|---------------|---------------|-------------|---------------|---------------|-------------|---------------|---------------|
| | Power kW/HP | Current Amps. | Duty factor % | Power kW/HP | Current Amps. | Duty factor % | Power kW/HP | Current Amps. | Duty factor % |
| Hoist motor | | | | | | | | | |
| Auxiliary hoist | | | | | | | | | |
| Travel motor - main-trolley | | | | | | | | | |
| Travel motor - aux.-trolley | | | | | | | | | |
| Main travel | | | | | | | | | |
| Slewing | | | | | | | | | |
| Luffing | | | | | | | | | |

Mark with an "E" any motor that may be in simultaneous operation.







Products and Service

Catalog No.

| | |
|---|-----|
| 1 Open conductor systems | |
| Open conductor systems | 1a |
| 2 Insulated conductor systems | |
| U10 | 2a |
| FABA 100 | 2b |
| U15, U25, U35 | 2c |
| U20, U30, U40 | 2d |
| 3 Compact conductor systems | |
| VKS 10 | 3a |
| VKS - VKL | 3b |
| VKH | 3c |
| 4 Enclosed conductor systems | |
| KBSL - KSL | 4a |
| KBH | 4b |
| MKH | 4c |
| LSV - LSVG | 4d |
| 5 Contactless power supply | |
| Contactless power supply (CPS®) | 5a |
| 6 Data transmission | |
| VAHLE Powercom® | 6a |
| Slotted Microwave Guide (SMG) | 6b |
| 7 Positioning systems | |
| VAHLE APOS® | 7a |
| 8 Festoon systems and cables | |
| Festoon systems for □ -tracks | 8a |
| Festoon systems for flat cables on I-track | 8b |
| Festoon systems for round cables on I-track | 8c |
| Festoon systems for ◇-track | 8d |
| Cables | 8e |
| 9 Reels | |
| Spring operated cable reels | 9a |
| Motor powered cable reels | 9b |
| 10 Other | |
| Battery charging systems | 10a |
| Heavy enclosed conductor systems | 10b |
| Tender | 10c |
| Contact wire | 10d |
| Assemblies / Commissioning | |
| Spare parts / Maintenance service | |



certified by DQS according to Din EN
ISO 9001:2008 OHSAS 18001:2007
(Reg. Nr. 003140 QM 08/BSOH)